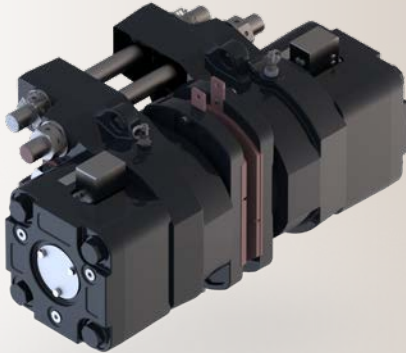


Industrial Brakes

Stromag SH32

Hydraulic Disc Brakes



Emergency Disc Brake for Lifting equipments of very high capacity.

The brake type SH32 is a powerful, spring-actuated, hydraulically released brake that provides fail-safe, emergency braking. It is especially designed to operate in severe conditions. It answers to the technological challenge imposed by lifting equipments of very high capacity.

Robust construction and simplicity of operation bring to this brake a high reliability. It complies with the specific quality and safety requirements of applications such as boatlifts, ladle cranes, offshore cranes, conveyors or nuclear power plants.



Applications

- Hydropower Plant
- Offshore Applications
- Steel Industry
- Mining and Conveyors
- Nuclear Power Plant

Benefits include

- Powerful hydraulic spring applied caliper
- Direct acting caliper / few components
- Braking force up to 330 kN
- Pivoting shoes
- Positive lining pads fastening: easy replacement
- Steel, nuclear, offshore protections available
- Association with any thickness of discs from 30 to 50 mm
- Opening monitoring switch preset in factory
- Options : Wear monitoring switch - Progressive braking system

TECHNICAL DATA / DIMENSIONS

Revision number: T10040-01-D Revision date: 22.03.2021

Caliper SH32

- Emergency brake
- Fail safe
- Spring application
- Hydraulic release
- Opening proving switches
- Lining wear indicator wires

Working conditions:

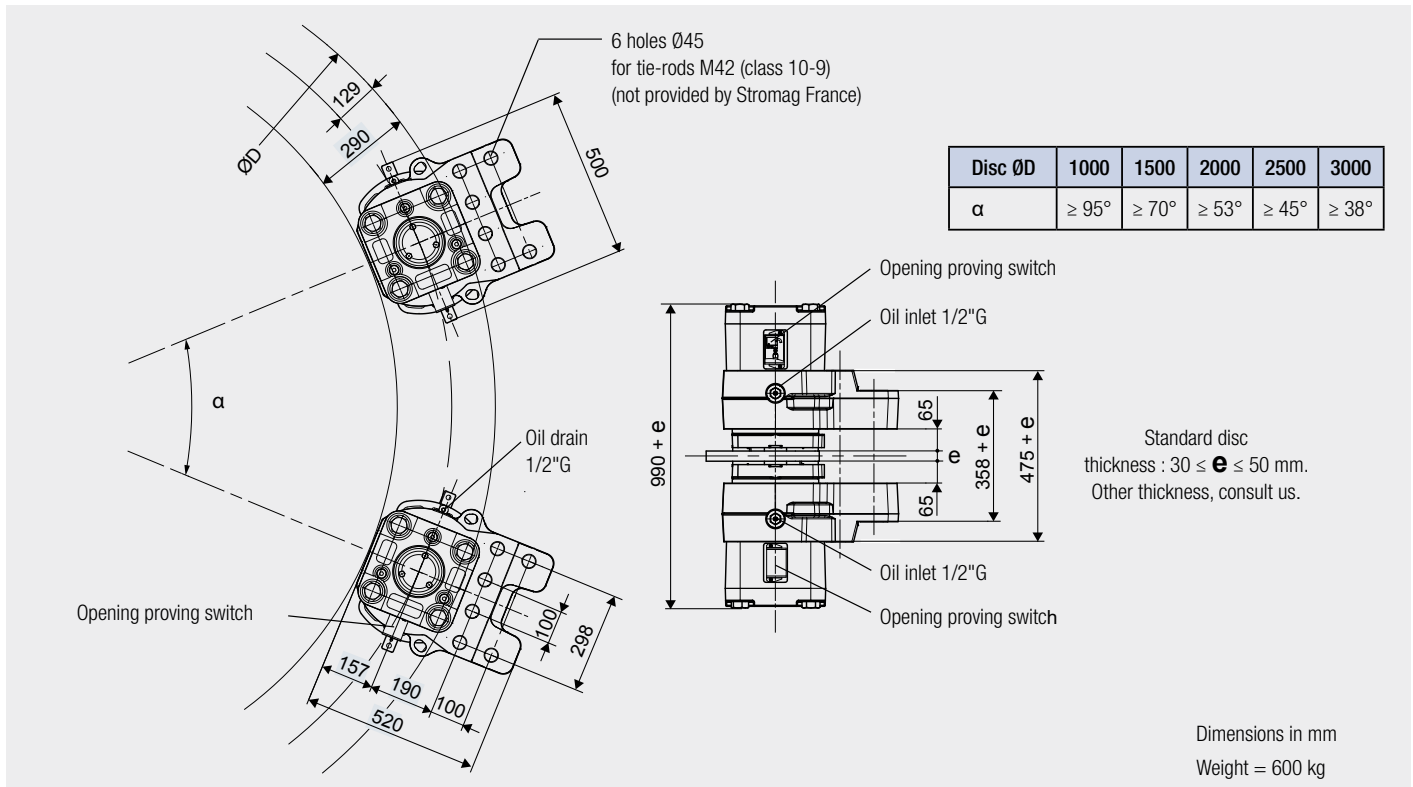
- Ambient temperature: -10°C to +60°C
 - Relative humidity ≤ 70%
 - Dust in atmosphere ≥ 65µm
- Other conditions, consult Stromag.

Use:

- The brake should be applied only in case of emergency stop, overspeed or shutdown of electric mains. Other use, consult us

Options:

- Lining wear proving switches
- Progressive braking system
- Marine protection



Designation	Caliper		SH32
	Lining		US2-1
Braking force BF for air gap disc/lining of 2 x 1.5 mm	Dynamic	N	333,800
	Static	N	300,000
Braking force BF for air gap disc/lining of 2 x 2 mm	Dynamic	N	320,000
	Static	N	288,000
Linear speed of the disc	m/s		≤ 10
Dynamic braking torque BT (m.N) for 1 caliper and disc ØD (mm)	Nm		BT = BF (D/2,000-0.129)
Regulation pressure	Minimum	bar	180
	Maximum	bar	200
Setting pressure of the limit valve of the hydraulic unit	bar		225
Total volume of oil displaced for air gap/lining of 2 x 2 mm	cm ³		191 for one stroke disc/lining

IMPORTANT

BRAKING FORCE and **TORQUE** values correspond to lining quality **US2-1** and disc steel S235JR or S355JR (standard NF EN10025), these values are subject to a variation of ±10%.

Response time at nominal torque ≤ 0.3s

Electrical data :

Opening proving switches

Wear proving switches (optional) :

- 250VAC max., 5A max., with interrupting capacity: 50VA max.
- 220VDC max., 5A max., with interrupting capacity: 50W max.
- Compatible with PLC (Programmable Logic Controllers).

An opening switch used with other equipment than PLC must not be reused with a PLC.