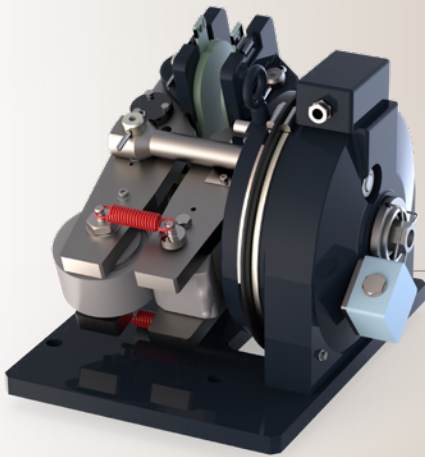


Industrial Brakes

Stromag 3CA2

Electromagnetic Disc Brakes



Service Disc Brake for high performance braking

The electromagnetic disc brake type **3CA2** belongs to the **CA2** SIME Brakes range.

This fail-safe brake is spring-applied and electromagnetically released. It is equipped with an automatic wear compensation, ensuring a constant torque whatever the wear of the lining pads.

The **CA2** disc brake range was initially designed to equip iron and steel cranes with heavy actuators, ensuring safety and reliability for dynamic braking. Today, these brakes answer the constraints of high-performance braking, whatever the application or conditions.



Photo courtesy of DILLINGER France

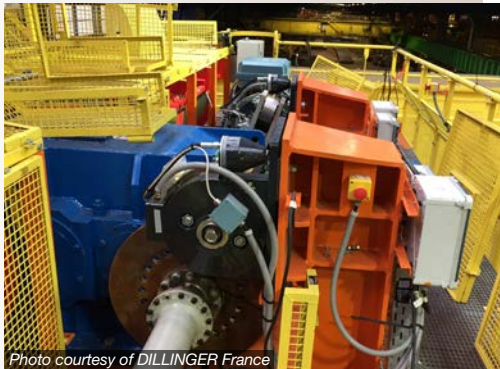
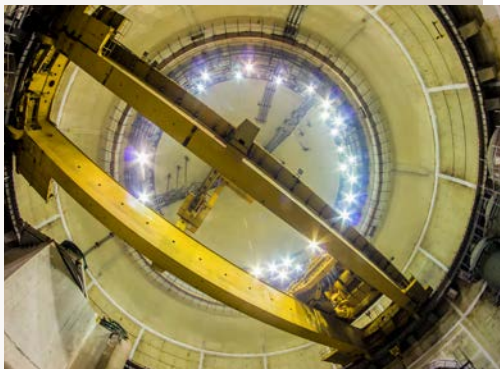


Photo courtesy of DILLINGER France



Applications

- Iron and Steel Industry
- Nuclear Cranes
- Bascule Bridge

Benefits include

- Electromagnetic brake
- Designed for 4 million actuators
- Large clearance between disc and linings
- Automatic linings wear compensation
- Steady torque over lining life
- Easy pads replacement
- Opening proving switch
- Options : Mechanical lowering, hydraulic release, manual wear compensation, flameproof protection, ...

Caliper 3CA2

- Fail safe braking
- Braking by spring application
- Electromagnetic release
- Automatic wear compensation
- Opening proving switch
- Lining pads with wear indicator

Working conditions:

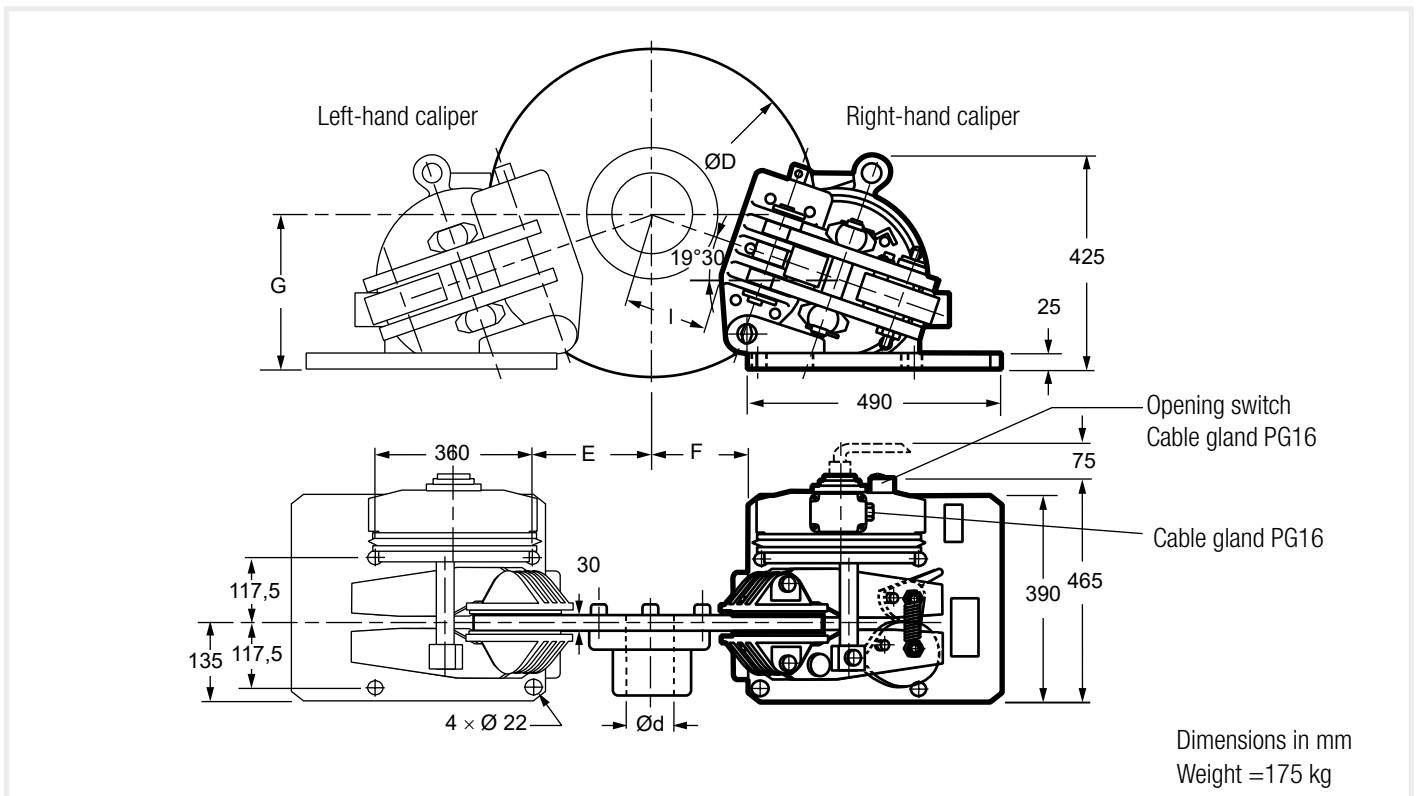
- Ambient temperature: -10°C to +60°C
 - Relative humidity ≤ 70%
 - Dust in atmosphere ≥ 65µm
- Other conditions, consult Stromag.

Use:

- Any application up to 1000act/h

Options:

- Manual release lever
- Hydraulic release
- Manual wear compensation
- Load regulated lowering
- Steelworks flameproof protection
- Marine protection
- Closing proving switch
- Switch on release nut
- Special paint



Discs		445	495	550	625	705	795
Nominal torque for 1 caliper adjustable from -30 to +20%	N.m	1600	1850	2100	2500	2900	3350
Maximum disc speed for nominal torque	r.p.m.	2100	1900	1800	1500	1300	1200
D	mm	445	495	550	625	705	795
d	mm	0-70	0-100	0-100	0-100	0-120	0-130
E	mm	100	120	150	185	225	265
F	mm	80	100	130	165	205	245
G	mm	285	295	305	315	330	345
l (approx. dimension)	mm	90	115	145	180	225	265
Maximum reaction on shaft	1 caliper	N 12300					
	2 calipers	N 7400					

Electrical data :

Opening proving switch:

- 250VAC max., 5A max., with interrupting capacity: 50VA max.
- 220VDC max., 5A max., with interrupting capacity: 50W max.
- Compatible with PLC (Programmable Logic Controllers).

An opening switch used with other equipment than PLC must not be reused with a PLC.