

# ERD A

## MULTI-DISC CLUTCH

Electromagnetic actuated multi-disc clutch with bearing supported coil body and plug connection. Designed for applications with electromagnetic-flodded discs to achieve a compact design. Usable in complete sector of machine manufacturing and gears.

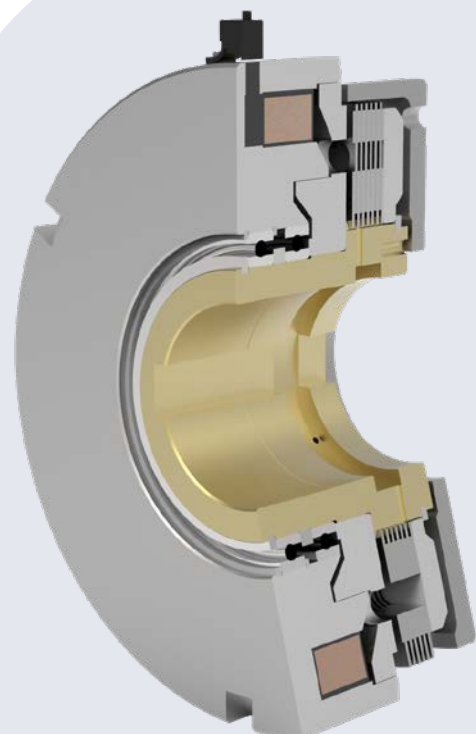
Max. speed	4300 – 1900 rpm
Diameter	112 – 310 mm
Static torque	110 – 4800 Nm

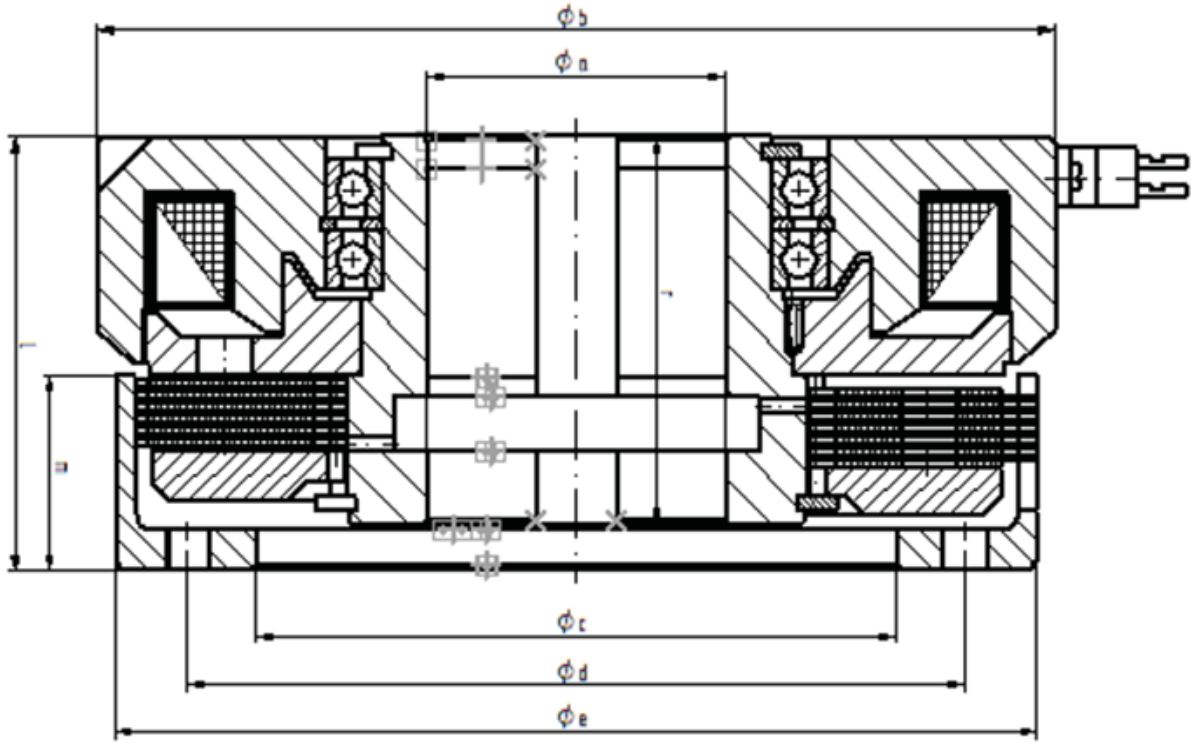
### FEATURES

- Compact design and simple handling
- High work capacity
- Only for wet running applications
- Bearing supported coil body and plug connection
- Slight gear backlash in the discs
- Active oil cooling though shaft possible customization possible on request

### MARKETS

- Bridge and Dam
- Crane and Hoist
- Farm and Agriculture
- Metals
- Gear Manufacturers
- General Machinery





Size			5	10	16	25	40	63	100	160	250
Static torque	TÜ	Nm	110	225	320	510	770	1200	1760	3200	4800
Speed	max.	rpm	4300	3800	3800	3500	3000	2800	2400	2100	1900
Weight	kg		3,2	5,0	7,9	8,1	14,3	18,0	26,8	45,0	60,0
coil voltage			24V	24V	24V	24V	24V	24V	24V	24V	24V
Diameter	a H7 (max.)	mm	35	42	42	50	60	68	80	90	100
	b	mm	112	134	147	165	195	210	240	295	310
	c H7 (max.)	mm	70	90	100	110	120	140	160	200	220
	d	mm	90	105	120	135	155	170	185	235	260
	e	mm	110	132	147	162	195	202	240	270	310
Lengths	l	mm	60	67	72	70	94,5	95	110,5	129	145
	m	mm	24,5	32,5	32,5	32	43	43	47	59	66
	r	mm	55	60	65	64	83,5	85	98	117	132

**Stromag GmbH**  
Hansastraße 120  
59423 Unna - Germany  
+49 2303 102-0  
[stromag.com](http://stromag.com)

The proper selection and application of products and components, including assuring that the product is safe for its intended use, are the responsibility of the customer. To view our Application Considerations, please visit <https://www.regalrexnord.com/Application-Considerations>.

To view our Standard Terms and Conditions of Sale, please visit <https://www.regalrexnord.com/Terms-and-Conditions-of-Sale>.

"Regal Rexnord" is not indicative of legal entity. Refer to product purchase documentation for the applicable legal entity.

Regal Rexnord and Stromag are trademarks of Regal Rexnord Corporation or one of its affiliated companies.

© 2024 Regal Rexnord Corporation, All Rights Reserved.  
MCF-P-10889-SG A4-EN 08/24

**RegalRexnord™**