

EZE / EZD TOOTH CLUTCH

Electromagnetic tooth clutches transmit high torque in static applications, such as one or two slip rings, as well as plug or cable connections. Different configurations available for many different applications and markets.

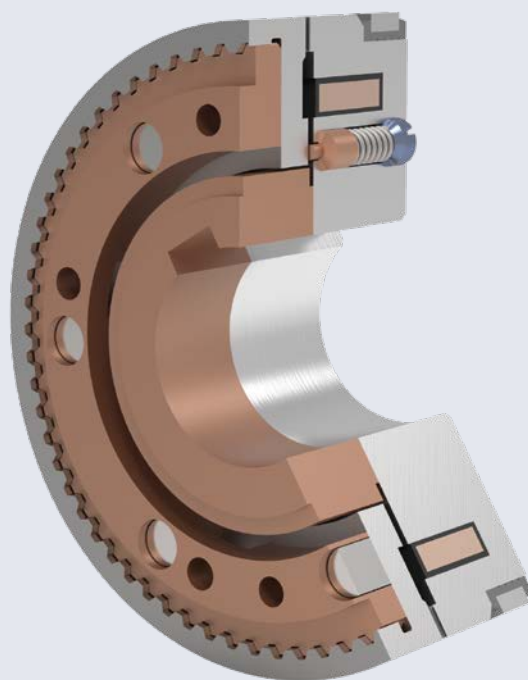
Max. speed	6500 – 1000 rpm
Diameter	55 – 250 mm
Static torque	20 – 16000 Nm

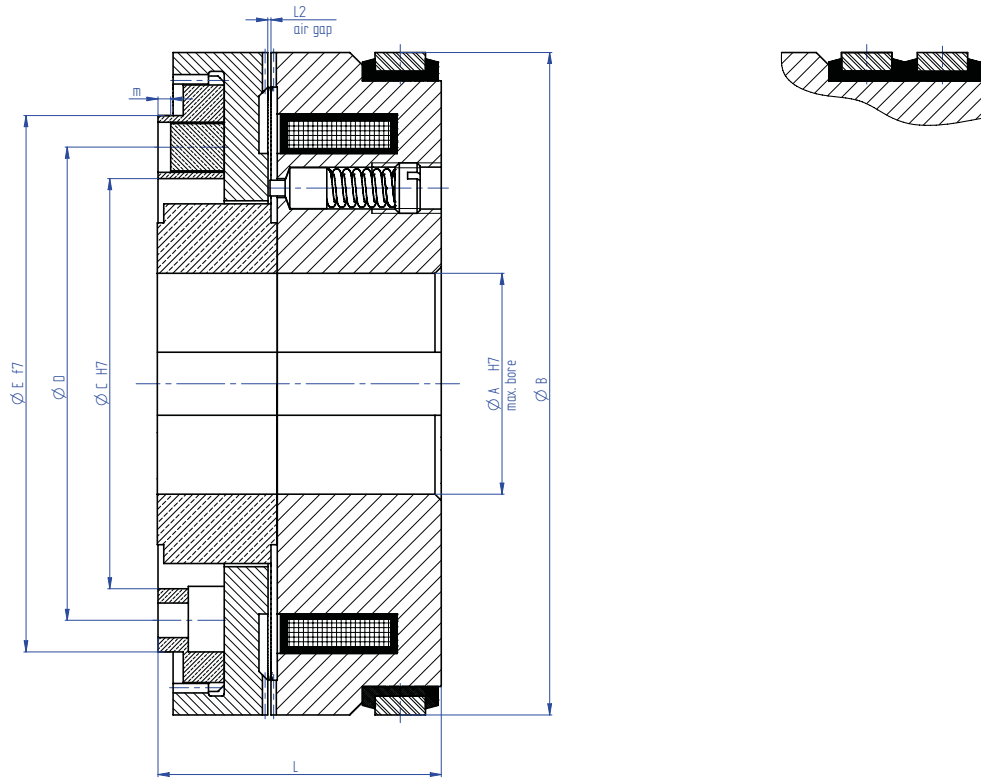
FEATURES

- Active or passive actuation possible
- Compact design and simple handling
- Usable in wet or dry running applications
- Available with slip rings, plug or cable connection
- Deliverable with suitable accessory
- Customization possible on request

MARKETS

- Amusement Ride and Ski Lift
- Bridge and Dam
- Marine
- Crane and Hoist
- Elevator and Escalator
- Oil and Gas
- Renewable Energy
- Metals
- Gear Manufacturers
- Electric Motors
- General Machinery





Size			2	5	10	16	25	40	63	100	160	250	400	630	1000
Torque	TÜ	Nm	20	50	100	160	250	400	630	1000	1600	2500	4000	6300	10000
Speed	max.	rpm	5500	4500	4000	3500	3300	3000	2500	2200	2000	1700	1500	1300	1100
Weight	EZE	kg	0,9	1,5	2,3	3	4,2	6,2	8,9	14,0	20,0	34,0	48,0	70,0	60,0
	EZD	kg	1,1	2,0	3,0	3,8	4,25	6,2	8,9	14,0	20,0	34,0	48,0	70,0	60,0
coil voltage		V	24V	24V	24V	24V	24V	24V	24V	24V	24V	24V	24V	24V	24V
Diameter	a H7 (max.)	mm	30	40	45	50	55	60	70	80	95	110	125	140	165
	b	mm	75	90	105	115	125	140	160	182	215	250	280	320	380
	c H7	mm	45	53	65	70	75	85	95	115	130	150	175	200	250
	d	mm	55	64	75	85	90	100	115	135	155	180	205	235	290
	e f7	mm	65	75	85	100	105	115	130	155	180	210	235	270	330
Lengths EZE	L	mm	33	40	45	50	58	67	75	85	100	115	130	150	175
	L2	mm	0,4	0,5	0,5	0,5	0,6	0,6	0,7	0,7	0,9	0,9	1,0	1,0	1,2
	m	mm	1,5	2	2	2	2,5	2,5	3	3	4	4	4	4	6
Lengths EZD	L	mm	42	52	57	62	58	67	75	85	100	115	130	150	175
	L2	mm	0,4	0,5	0,5	0,5	0,6	0,6	0,7	0,7	0,9	0,9	1,0	1,0	1,2
	m	mm	1,5	2	2	2	2,5	2,5	3	3	4	4	4	4	6

Regal Rexnord
Hansastraße 120
59423 Unna - Germany
+49 2303 102-0
stromag.com | regalrexnord.com

The proper selection and application of products and components, including assuring that the product is safe for its intended use, are the responsibility of the customer. To view our Application Considerations, please visit <https://www.regalrexnord.com/Application-Considerations>.

To view our Standard Terms and Conditions of Sale, please visit <https://www.regalrexnord.com/Terms-and-Conditions-of-Sale>.