

KMK S

MULTI-DISC CLUTCH

Hydraulically operated, spring-applied multi-disc clutch for wet operation, designed for all applications inside of a gearbox. Additional sizes available upon request.

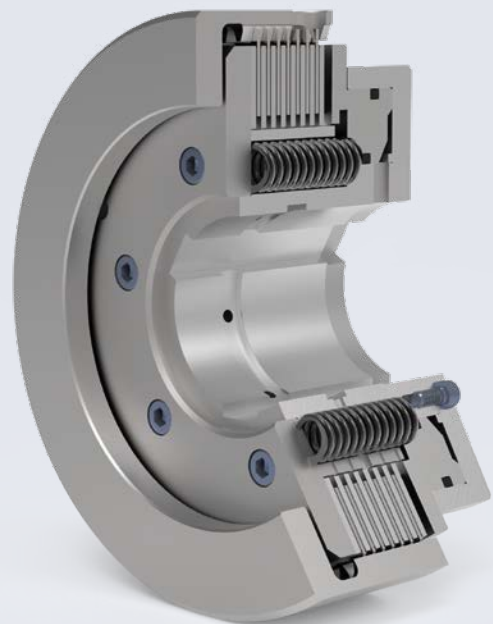
Max. speed	4000 – 850 rpm
Diameter	114 – 640 mm
Dynamic torque	200 – 100000 Nm

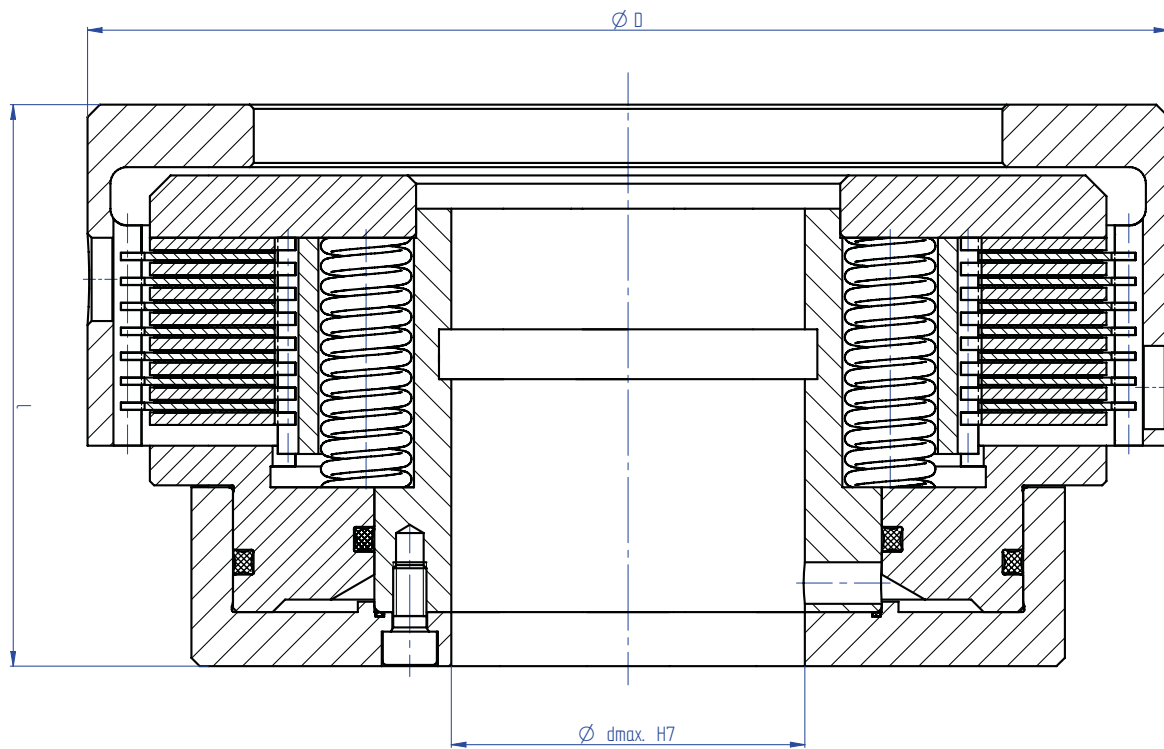
FEATURES

- Switching with differential speed possible
- Low idling torque while clutch is open
- Low maintenance
- Wet or dry running possible with suitable friction disc combination
- Radial oil feed possible
- Low wear

MARKETS

- General Machinery
- Mining and Conveyors





Size		50 S	80 S	125 S	200 S	320 S	500 S	800 S	1750 S	3200 S	
Switching moment	Nm	500	800	1250	2000	3500	6000	9000	17500	32000	
Operating overpressure	bar	16	24	24	24	24	24	24	24	24	
Speed	max rpm	3200	3000	3000	3000	3000	2500	2000	1500	1200	
Spring back pressure	bar	2,5	2,5	2,5	3	3,5	3,5	3,5	3	3	
Stroke volume	dm ³	24	28	41	63	97	157	247	333	657	
Weight	kg	6,9	9,2	12,8	20	40	62,5	112	186	238	
Size	l	mm	80	93	98	110	135	150	190	220	252
	D	mm	140	155	175	210	260	315	370	460	540
bore	dmax	mm	48	55	65	75	85	100	115	150	190

Regal Rexnord
Hansastraße 120
59423 Unna - Germany
+49 2303 102-0
stromag.com | regalrexnord.com

The proper selection and application of products and components, including assuring that the product is safe for its intended use, are the responsibility of the customer. To view our Application Considerations, please visit <https://www.regalrexnord.com/Application-Considerations>.

To view our Standard Terms and Conditions of Sale, please visit <https://www.regalrexnord.com/Terms-and-Conditions-of-Sale>.