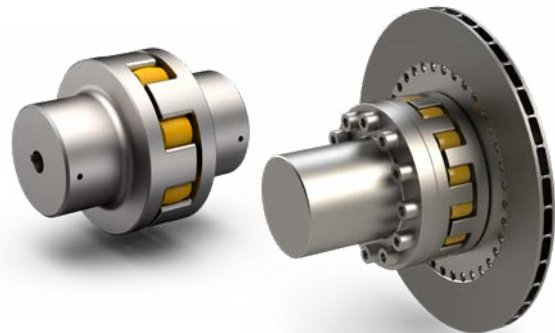


ELASTIC COUPLINGS

SIME BRAKES



SIME^M BRAKES ELASTIC COUPLINGS

SVKL / SDKL
SVK / SDK
SVKL-ML / SDKL-ML



size: 125 to 400 - Ødisc: 315 to 795

SVKL / SDKL	SVK / SDK	-ML
109 to 288	68 to 177	107 to 140
SVK / SDK length: 244 to 464		140 to 200
SVKL / SDKL length: 287 to 577		
SVKL-ML / SDKL-ML length: 320 to 637		

Dimensions in mm

SVW / SDW

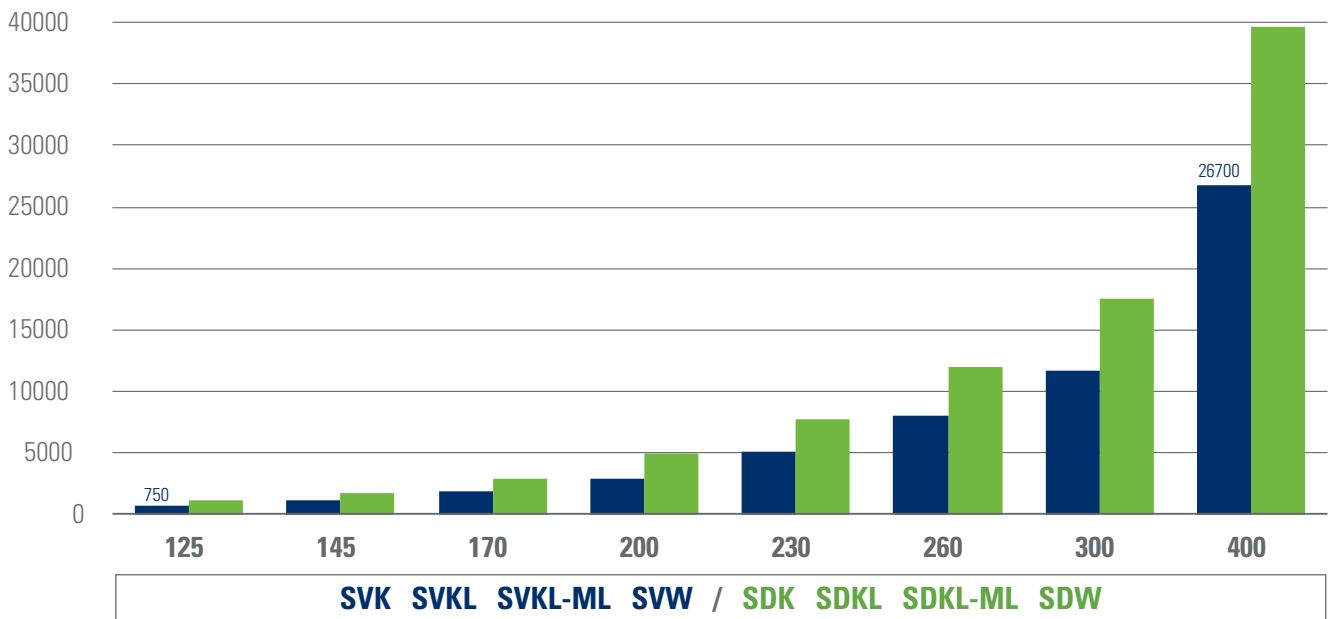


size: 50 to 400

30 to 164	30 to 164
Length: 75 to 400	

Dimensions in mm

MAXIMAL TORQUE (in N.M.)



ECONOMICAL - EASY INSTALLATION & MAINTENANCE - HIGH PERFORMANCE

Torque transmission with
Torsional vibrations damping
Noise reduction
Electrical insulation

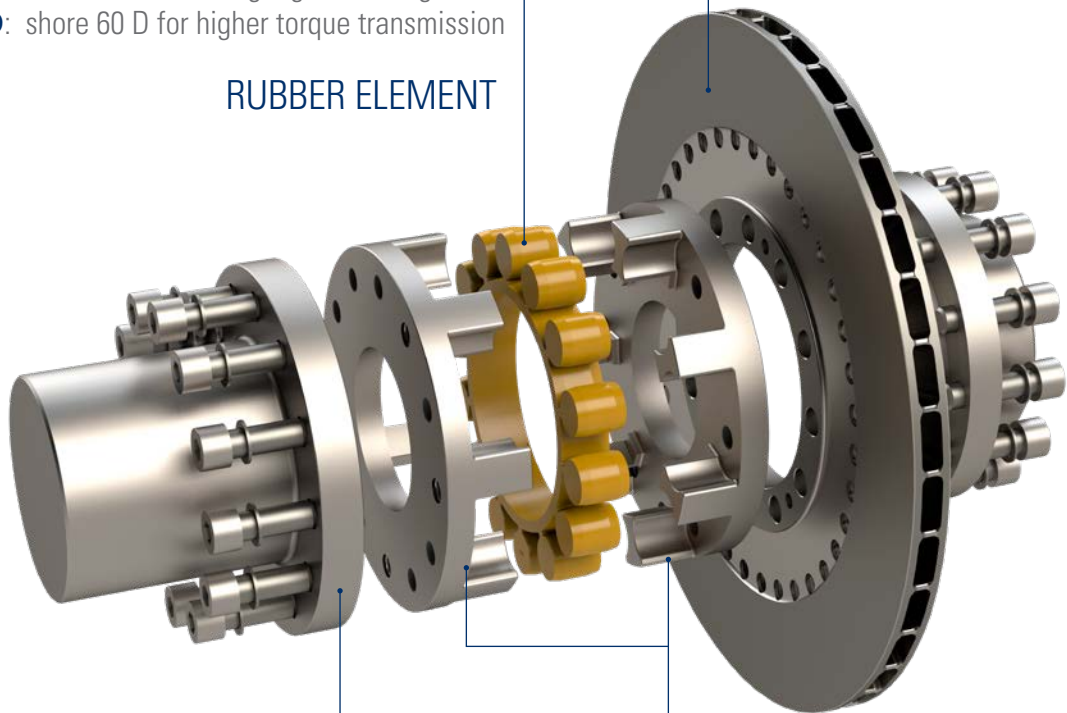
Shock load accomodation
Balance of angular, radial and axial shaft
misalignments within tolerances

2 rubber element hardnesses
V: shore 93 A allowing higher misalignment
D: shore 60 D for higher torque transmission

RUBBER ELEMENT

Ventilated discs, thickness 30 mm
Solid discs in option

A LARGE RANGE OF DISCS



A LARGE RANGE OF SIZES
A large range of transmissible torques

2-PARTS CAM RING

Easy assembly and dismantling
without moving the machines back

Easy maintenance
No lubrication requirements
Easy replacement of the rubber elements



Regal Rexnord™

stromag.com

Stromag France SAS

Avenue de l'Europe

18150 La Guerche sur L'Aubois - France

+33 (0)1 49 90 32 20

regalrexnord.com

The proper selection and application of products and components, including assuring that the product is safe for its intended use, are the responsibility of the customer. To view our Application Considerations, please visit <https://www.regalrexnord.com/Application-Considerations>.

To view our Standard Terms and Conditions of Sale, please visit <https://www.regalrexnord.com/Terms-and-Conditions-of-Sale>.

"Regal Rexnord" is not indicative of legal entity. Refer to product purchase documentation for the applicable legal entity.

Regal Rexnord and Stromag are trademarks of Regal Rexnord Corporation or one of its affiliated companies.

© 2020, 2024 Regal Rexnord Corporation, All Rights Reserved.
MCB P-8835-SG-EN-A4 06/24

