



**INDUSTRIAL
SDB BRAKES**





DECADES OF EXPERIENCE

Across Industries and Applications



Founded in 1932, Stromag™ has grown to become a globally recognized leader in the development and manufacture of innovative power transmission components for industrial drivetrain applications.

Stromag engineers utilize the latest design technologies and materials to provide creative, energy-efficient solutions that meet their customer's most challenging requirements.

Stromag's extensive product range includes flexible couplings, disc brakes, limit switches, an array of hydraulically, pneumatically, and electrically actuated brakes, and a complete line of electric, hydraulic and pneumatic clutches.

Stromag engineered solutions improve drivetrain performance in a variety of key markets including energy, off-highway, metals, marine, transportation, printing, textiles, and material handling on applications such as wind turbines, conveyor systems, rolling mills, agriculture and construction machinery, municipal vehicles, forklifts, cranes, presses, deck winches, diesel engines, gensets and stage machinery.

VISIT US ON THE WEB AT **STROMAG.COM**



TECHNICAL DATA AND DIMENSIONS

- Standard DIN 15435
- Spring application braking
- Thruster release
- Standard voltage 230/420 VAC 50Hz
- Protection class C5-H available on demand
- Automatic lining wear compensation
- Brake shoe auto-aligning device
- Scale for torque adjustment
- Brake lever synchronization
- Aluminum shoes with non-asbestos organic linings
- Self-lubricated bush at main hinge points
- All exposed steel parts are with Zinc Al Flake coating on demand

Operation conditions

- Ambient temperature: -20°C to 70°C
- Max permissible relative humidity 90%
- IP rating: IP66

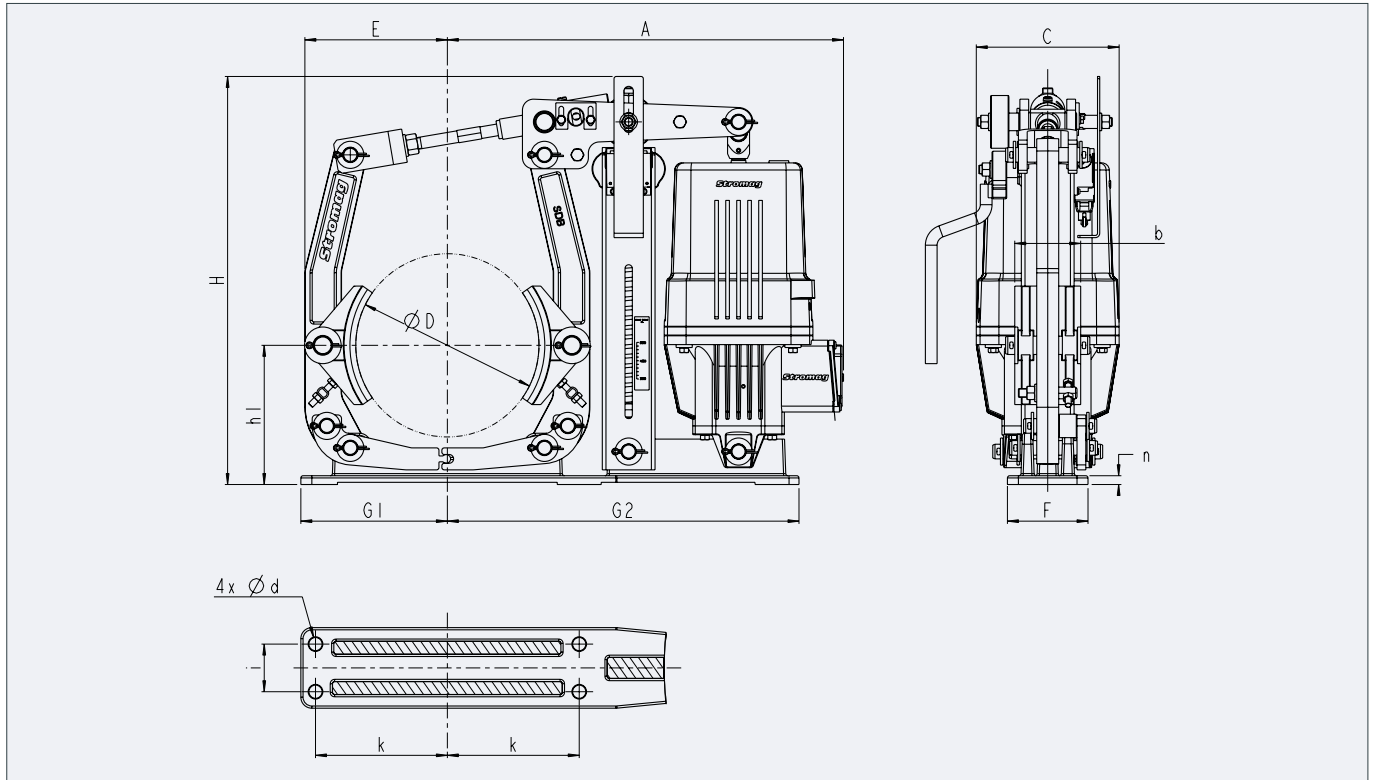


Options	
AV-DV Thruster	Thruster delay: Ascent valve or descent valve
BELS	Brake engaging Limit Switch
BRLS	Brake release Limit Switch
HRL	Hand release lever
HRLM	Limit Switch for hand release monitoring
LWI	Full lining wear indicators
SPA	Paint according to customer specification
SV	Special voltage
PC	Port crane: Corrosion class C5-H

INDUSTRIAL BRAKES

SDB brakes

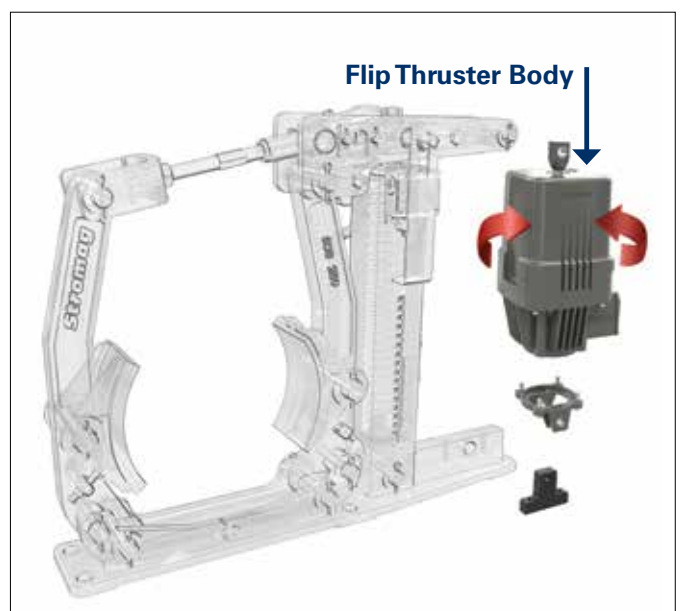
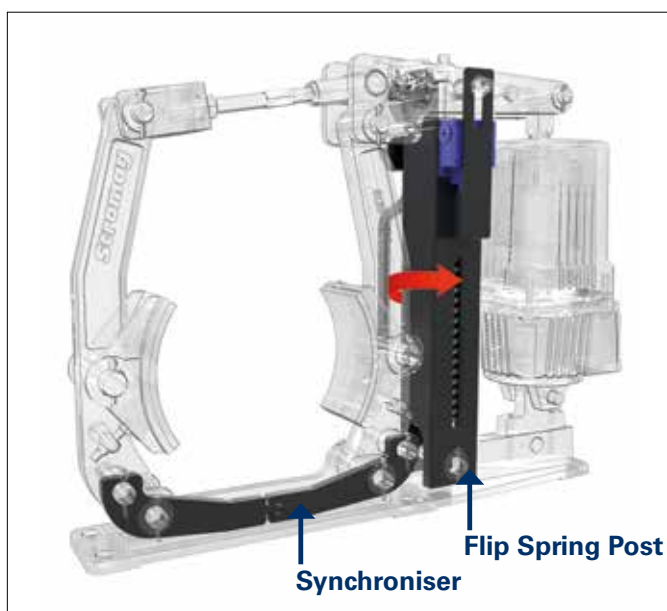
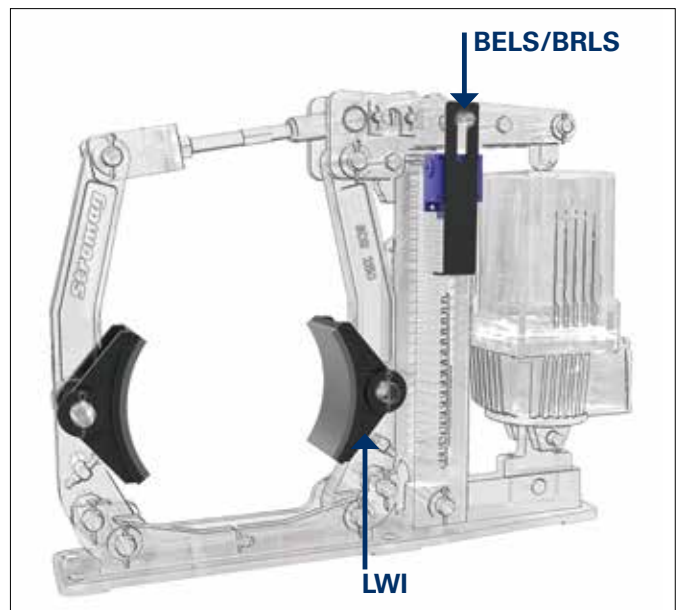
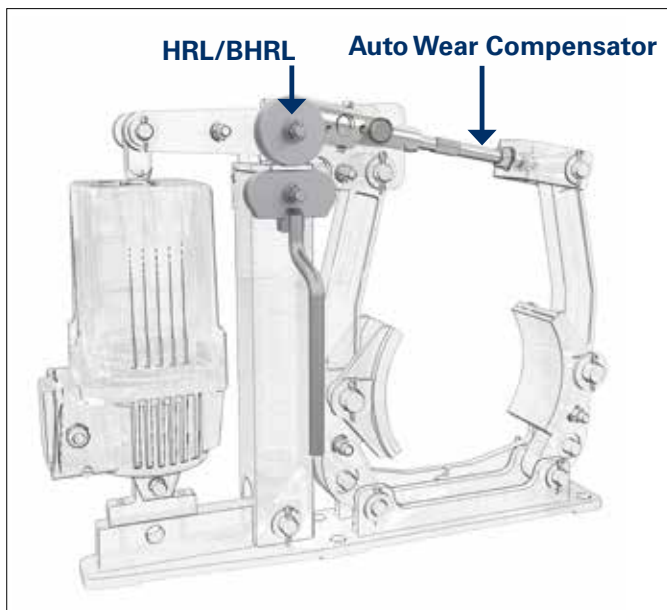
TECHNICAL DATA AND DIMENSIONS



Brake type	Thruster	Torque (Nm)		Weight (kg)	Dimensions (mm)																
		min.	max.		A	b	C	D	d	E	F	G1	G2	H	h1	i	k	n			
SDB 160	PT 230/5	80	180	28	428	65	160	160	14	140	85	145	355	418	160	55	130	8			
SDB 200	PT 230/5	110	260	35	470	70	160	200	14	172	90	165	415	490	160	55	145	10			
	PT 300/5	140	380	38																	
SDB 250	PT 230/5	140	300	45	533		160	250	18	205	110	200	480	583	190	65	180	12			
	PT 300/5	180	410	48		90															
	PT 500/6	300	800	53	570														195		
SDB 315	PT 230/5	180	350	70	670	110	160	315	18	253	115	245	535	585	230	80	220	14			
	PT 300/5	250	500	70																	
	PT 500/6	315	970	75																195	
	PT 800/6	630	1600	80																	
SDB 400	PT 500/6	400	1050	138	695		195	400	22	310	160	310	615	715	280	100	270	14			
	PT 800/6	630	1700	140		140															
	PT 1210/6	1000	2650	155	810														240	775	
SDB 500	PT 800/6	800	2060	176	925	180	195	500	22	380	180	365	752	803	340	130	325	21			
	PT 1210/6	1250	3270	204																204	830
	PT 2010/6	2000	5150	204																	
SDB 630	PT 1210/6	1800	3780	310	1150	225	240	630	27	465	220	450	870	1025	420	170	400	20			
	PT 2010/6	2500	6000	310																	
	PT 3010/6	4000	8500	315																	
SDB 710	PT 2010/6	3150	6000	435	1180	255	240	710	27	520	240	500	870	1135	470	190	450	25			
	PT 3010/6	5000	9600	441																	

FEATURES

- **AUTO WEAR COMPENSATOR**
Automatically compensates for liner wear repeatability in break performance.
- **HRL (Optional)**
Facilitates maintenance by manual break release lever that can be operated in bi-directional orientation and also can be flipped as per site conditions.
- **BELS/BRLS (Optional)**
Contact type sensor to monitor brake engage / release condition.
- **LWI**
Liner with wear indicator (LWI) to monitor friction material conditions.
- **FLIP SPRING POST**
Flipping of spring post orientation with attached HRL and limit switch arrangement.
- **FLIP THRUSTER BODY**
Thruster body can be oriented +/- 90° with respect to pivot.
Options available above PT 500 Thrusters.



- **SYNCHRONISER**
Precisely synchronises left and right arm with symmetry
 - Facilitates easy installation
 - Improves brake performance



Stop seeing individual parts. Start seeing unlimited possibilities.

Regardless of your objectives or the challenges with your application, Powertrain Solutions can help you achieve your unique goals. No matter what your application looks like, it relies on many components, all working together. But not all components are made to work together reliably and efficiently. Powertrain Solutions has the insight, experience and expertise to engineer your collection of components into a fully optimized system — giving you solutions that boost efficiency, improve reliability and performance, lower costs and simplify ordering and logistics.

WHERE OTHERS SEE PARTS, WE SEE A SYSTEM



Bearings



Belt & Chain
Drives



Clutches &
Brakes



Conveying



Disc & Gear
Couplings



Motors



Speed Reducers
& Gearboxes



Monitoring &
Diagnostics

It's time to see the bigger picture.

Get started at RegalRexnord.com/Powertrain



www.stromag.com

Germany

+49 2303 102 - 0

www.stromag.com

India

+91 2135 622112



www.svendborg-brakes.com

Denmark

+45 63 255 255

Regal Rexnord

regalrexnord.com

The proper selection and application of products and components, including assuring that the product is safe for its intended use, are the responsibility of the customer. To view our Application Considerations, please visit <https://www.regalrexnord.com/Application-Considerations>.

To view our Standard Terms and Conditions of Sale, please visit <https://www.regalrexnord.com/Terms-and-Conditions-of-Sale>.

"Regal Rexnord" is not indicative of legal entity. Refer to product purchase documentation for the applicable legal entity.

Regal Rexnord and Stromag GmbH are trademarks of Regal Rexnord Corporation or one of its affiliated companies.

©2024 Regal Rexnord Corporation, All Rights Reserved.
MCC-P-8928-SG-EN-A4 11/24

