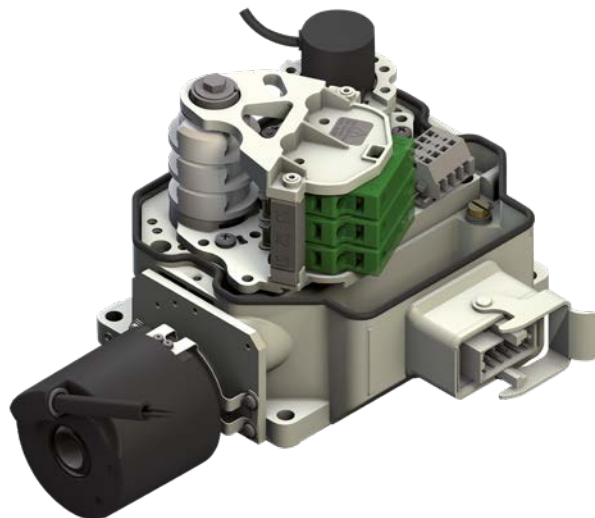




**SERIES LIGHT CAM<sup>®</sup>  
AND LIGHT CAM<sup>®</sup> M**

GEARED CAM LIMIT SWITCHES





# DECADES OF EXPERIENCE

Across Industries and Applications



**Founded in 1932, Stromag™ has grown to become a globally recognized leader in the development and manufacture of innovative power transmission components for industrial drivetrain applications.**

Stromag engineers utilize the latest design technologies and materials to provide creative, energy-efficient solutions that meet their customer's most challenging requirements.

Stromag's extensive product range includes flexible couplings, disc brakes, limit switches, an array of hydraulically, pneumatically, and electrically actuated brakes, and a complete line of electric, hydraulic and pneumatic clutches.

Stromag engineered solutions improve drivetrain performance in a variety of key markets including energy, off-highway, metals, marine, transportation, printing, textiles, and material handling on applications such as wind turbines, conveyor systems, rolling mills, agriculture and construction machinery, municipal vehicles, forklifts, cranes, presses, deck winches, diesel engines, gensets and stage machinery.

VISIT US ON THE WEB AT **STROMAG.COM**



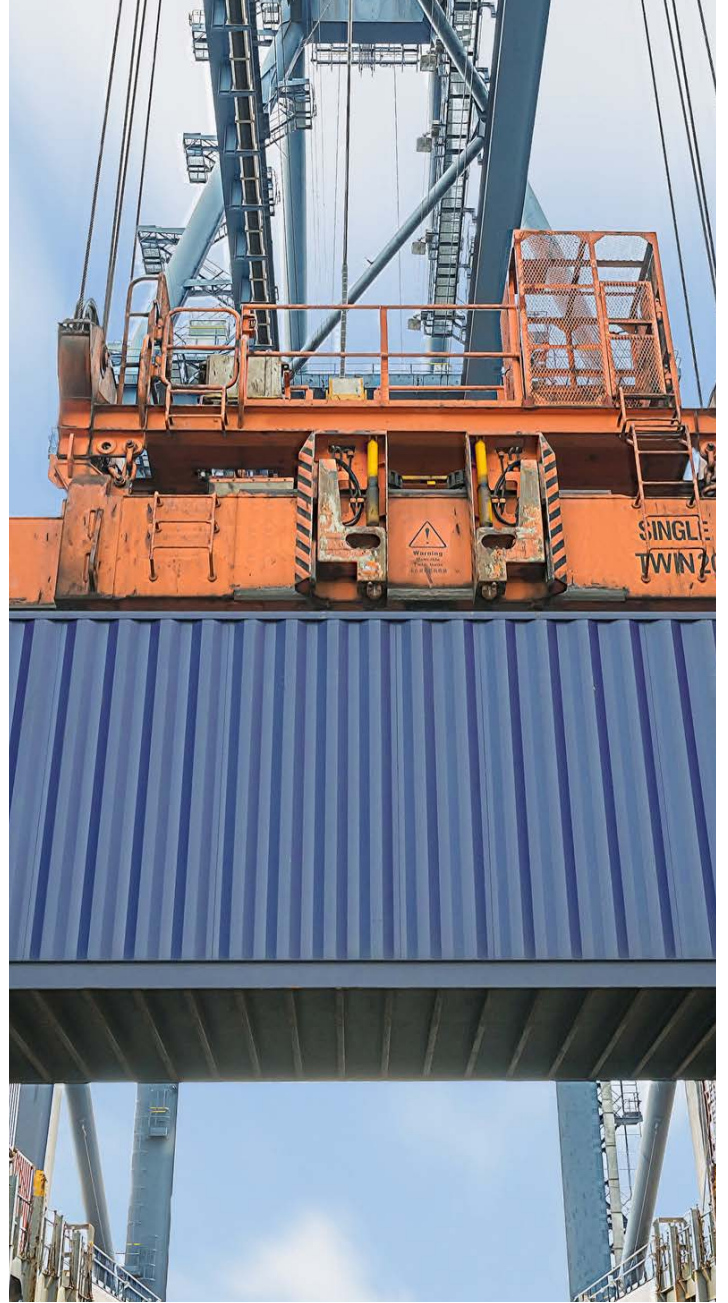
## CONTENT

### Catalog Series Light Cam® and Light Cam® M: II

At a Glance	04
Series Light Cam®/Light Cam®M – Basic Limit Switch	05
Series Light Cam®/Light Cam®M – Gear Data	06
Series Light Cam®/Light Cam®M – Switches 98, 98P, 98G, 99A, 99T	07
Series Light Cam®/Light Cam®M – Switches 80, 81, 88, 90, 90G	08
Series Light Cam® – Light Cam® B3	09
Series Light Cam® – Light Cam® B5	10
Series Light Cam® – Light Cam® Metal B3	11
Series Light Cam® – Light Cam® Metal B5	12
Light Cam®/Light Cam®M – Customizable Cam Discs	13
Light Cam®/Light Cam®M – Optional Drive Flanges	14
Light Cam®/Light Cam®M – Option: Anti-Condensation-Heating	15
Light Cam®/Light Cam®M – Option: Potentiometer	16
Light Cam®/Light Cam®M – Option: Analog Encoder 4-20 mA	17
Light Cam®/Light Cam®M – Option: Incremental Encoder	18
Light Cam®/Light Cam®M – Option: SSI Multiturn Encoder	19
Light Cam®/Light Cam®M – Option: CANopen Multiturn Encoder	20
Light Cam®/Light Cam®M: 2 <sup>nd</sup> shaft end (encoder drive)	21
Light Cam®/Light Cam® M: Key of Types	22
Light Cam®/Light Cam®M: Highly Customizable Solutions	23

# GEARED CAM LIMIT SWITCHES

## AT A GLANCE



## LIGHT CAM<sup>®</sup> AND LIGHT CAM<sup>®</sup> M

### BENEFITS INCLUDE

- Form fit gear
- Self locking design for the cam discs
- High gear ratio of 74 for adjusting the cams
- Drive of incremental and absolute encoders possible
- Operating temperature: -40 °C up to + 80°C



# GEARED CAM LIMIT SWITCHES

Limit Switch Control Current

Worm / Bevel Geared Cam Limit Switches

## Series LC<sup>®</sup> / LC<sup>®</sup> M – Basic Limit Switch

Revision number: 3.1.2.1-03

Revision date: 28.08.2024

### Features

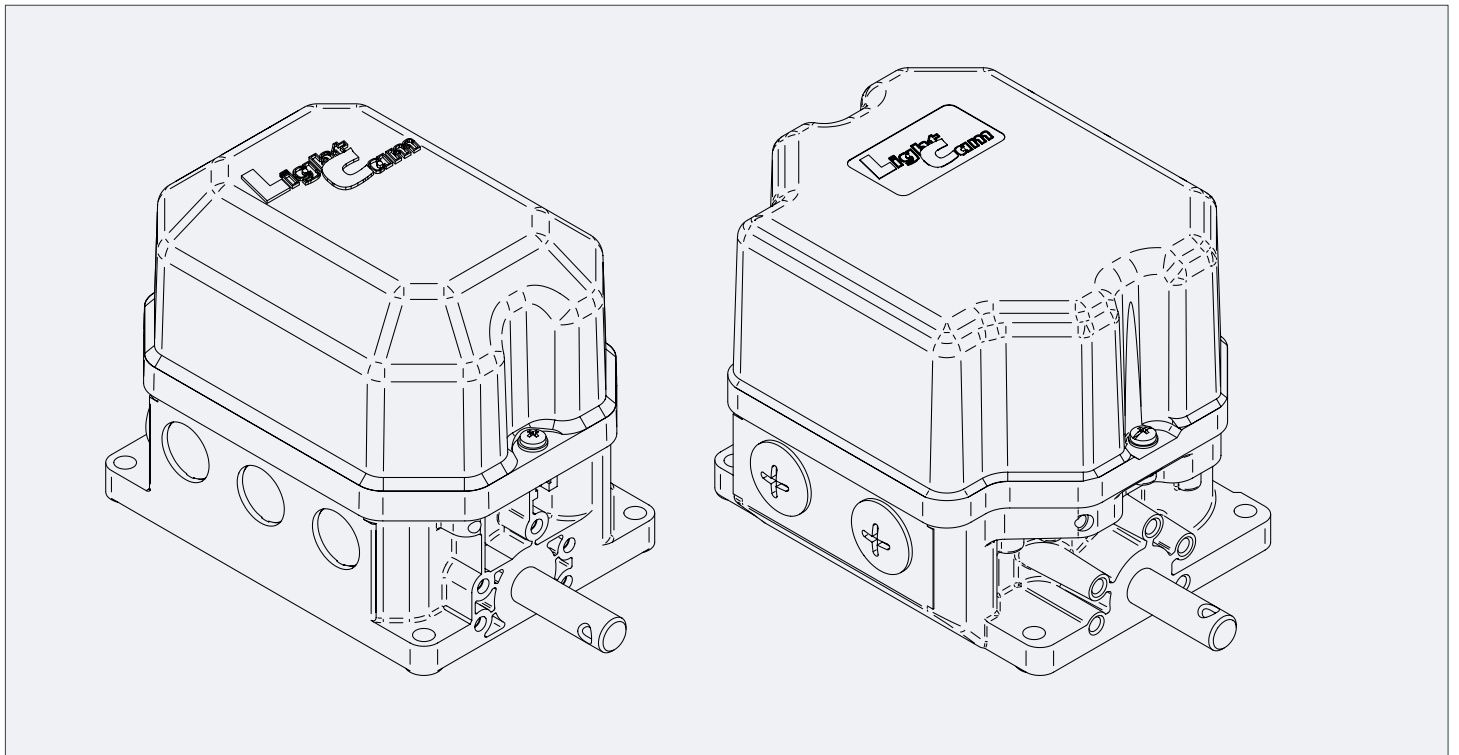
- Combined worm / spur gear for high gear reductions requiring less mounting space
- 4 or 8 switches of type 98, 98P, 98G, 99A, 99T

### Application

- Crane
- Wind
- Stage

### Additional information

- IP65 synthetic housing or IP66 aluminum housing available
- 1, 2 or 3 switches of type 80, 81, 88, 90, 90G



# GEARED CAM LIMIT SWITCHES

## Limit Switch Control Current

## Worm / Bevel Geared Cam Limit Switches

# Series LC<sup>®</sup>/ LC<sup>®</sup> M – Gear Data

Revision number: 3.1.2.2-04

Revision date: 28.08.2024

### Features

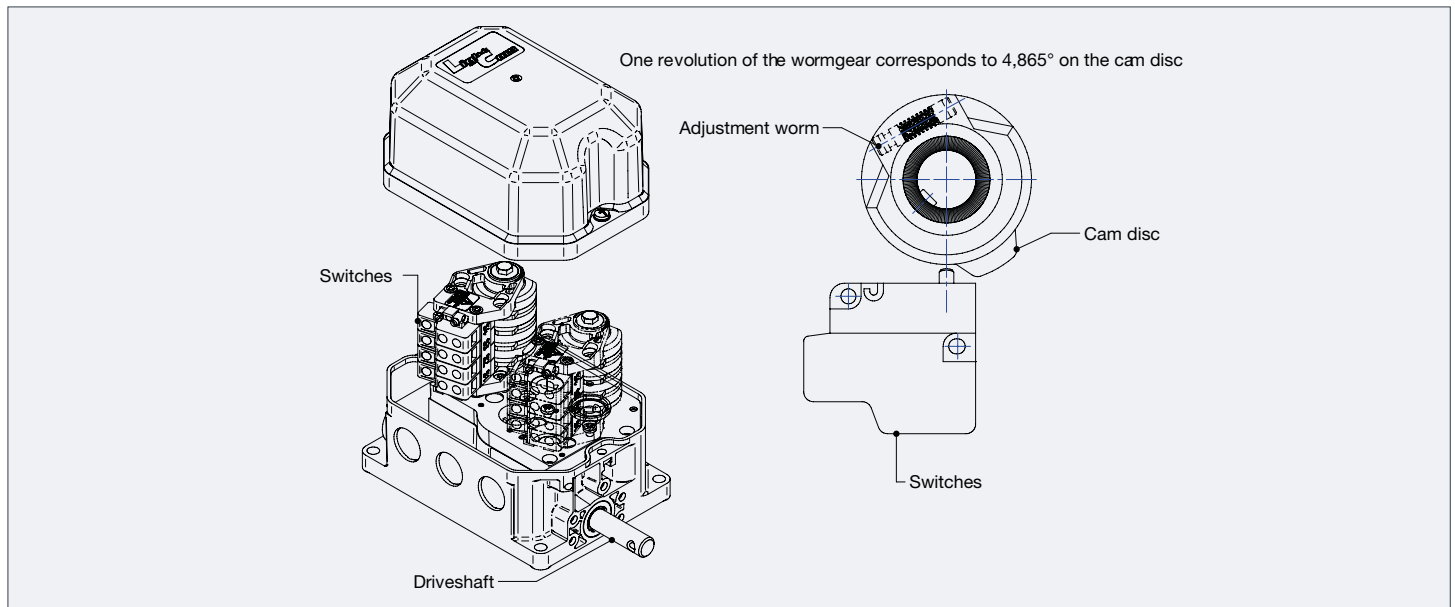
- Cam discs with precise adjustment and cam diameter of 42.5 mm
- Form fit gear design

### Application

- Self-locking design for the cam discs
- High gear ratio of 74 for the cam adjustment

### Additional Information:

- Gear table for switches 98, 98P, 98G, 99A, 99T
- Values for switches 80, 81, 88, 90, 90G upon request



Gear table, for switches 99, 99A, 99G, 99T, 99P with cam discs 40° FV								
Nominal revolutions	Ratio	Usable revolutions on drive shaft	Overrun revolutions on drive shaft	Switch back revolution on drive shaft (average value)	max. drive speed	min. drive speed for changeover opening	max. drive torque for positive opening of 1 switch	max. revolutions between switching point and end of positive opening
[-]	[i]	[U]	[U]	[U]	[U/min]	[U/min]	[Nm]	[U]
0,85	1,00	0,89	0,111	0,003	200	0,05	0,49	0,02
1,85	2,12	1,88	0,235	0,006	200	0,10	0,34	0,05
3,9	4,48	3,99	0,498	0,013	200	0,22	0,27	0,10
6	6,78	6,03	0,753	0,020	200	0,33	0,24	0,15
9	10,25	9,11	1,139	0,031	200	0,50	0,23	0,23
15	16,99	15,11	1,888	0,051	200	0,83	0,22	0,37
25	29,67	26,38	3,297	0,089	200	1,45	0,21	0,65
29	33,53	29,80	3,725	0,101	600	1,64	0,21	0,74
53	60,00	53,33	6,667	0,180	600	2,93	0,21	1,32
76	85,50	76,00	9,500	0,257	600	4,18	0,20	1,88
95	107,37	95,44	11,930	0,322	600	5,24	0,20	2,36
135	153,00	136,00	17,000	0,459	600	7,47	0,20	3,36
180	208,77	185,58	23,197	0,626	600	10,20	0,20	4,58
260	297,50	264,44	33,056	0,893	600	14,50	0,20	6,53
305	343,82	305,62	38,202	1,031	600	16,80	0,20	7,54
360	406,87	361,66	45,208	1,221	600	19,90	0,20	8,93
435	489,94	435,50	54,438	1,470	600	23,90	0,20	10,75
515	579,79	515,37	64,421	1,739	600	28,30	0,20	12,72
620	698,16	620,59	77,574	2,094	600	34,10	0,20	15,32
880	994,88	884,34	110,543	2,985	600	48,60	0,20	21,83

# GEARED CAM LIMIT SWITCHES

## Limit Switch Control Current

Worm / Bevel Geared Cam Limit Switches

## Series LC<sup>®</sup>/ LC<sup>®</sup> M – Switches 98, 98P, 98G, 99A, 99T

Revision number: 3.1.2.3-04

Revision date: 28.08.2024

### Features

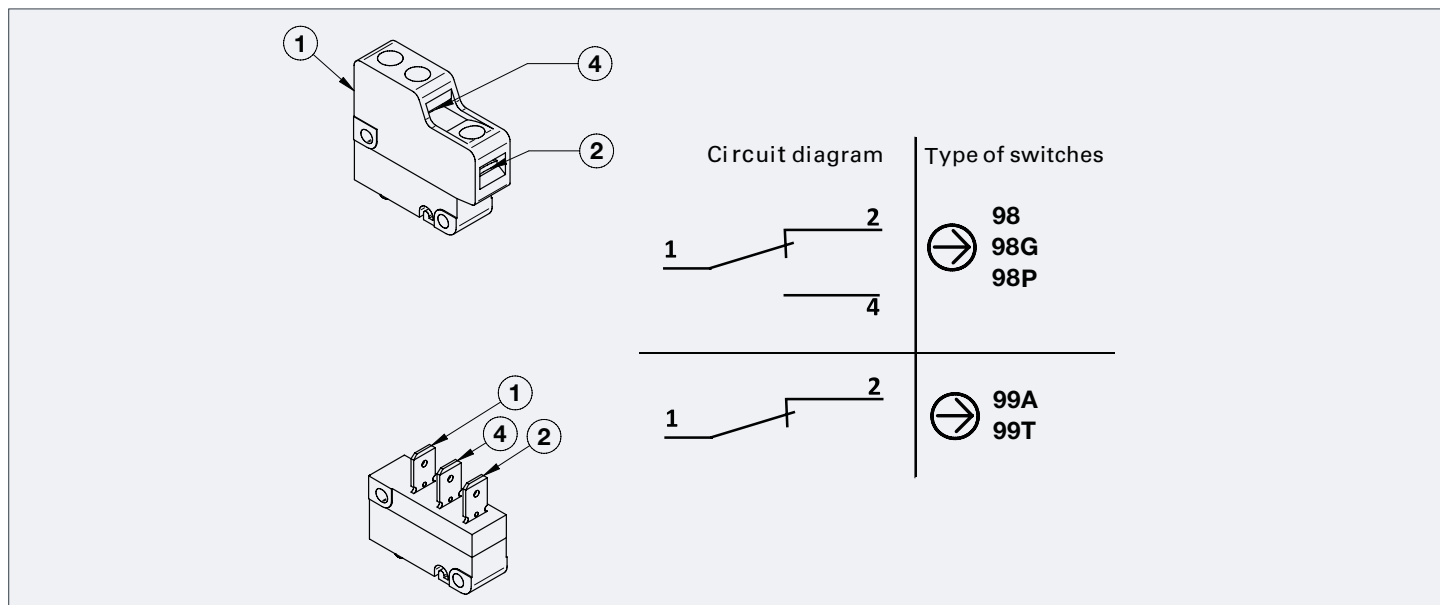
- Switches with positive opening
- For up to 1 million mechanical switching operations
- Gold plated contacts on request
- Push or snap action switches

### Application

- Silver plated contacts for relays
- Gold plated contacts for low electrical loads (<12 V, <50 mA); mechanical endurance limited to 50.000 switching operations

### Additional information

- Screw or flat plug connections
- Gold-plated contacts prevent corrosion-related resistances



Type of switch			Contact material		Switching system		Connection			Functionality		Electrical data			
Designation	Change-Over (NC/NO)	Normally closed (NC)	Silver	Gold (PLC-Application)	Snap-action	Push-action	screw terminals; 0,5 - 1,5 mm <sup>2</sup> / AWG 16 ... 22	Flatplugs 6,3mm	Standard wire output	Positive opening acc. to EN 60947-5-1 Annex K	Short circuit protection	Utilization category acc. to IEC 60947	Conventional thermal current I <sub>th</sub>	Rated Insulation Voltage U <sub>i</sub>	
98	•		•		•		•			•	10A gG	AC-15: 1,5A, 230V  DC-13: 0,5A, 60V	6A	250V	
98P	•		•	•					•	10A gG					
98G	•			•	•				•	2A gR					
99T		•	•			•	•		•	10A gG					
99A		•		•		•	•		•	2A gG					

• = applicable

# GEARED CAM LIMIT SWITCHES

## Limit Switch Control Current

## Worm / Bevel Geared Cam Limit Switches

# Series LC<sup>®</sup>/ LC<sup>®</sup> M – Switches 80, 81, 88, 90, 90G

Revision number: 3.1.2.4-03

Revision date: 28.08.2024

### Features

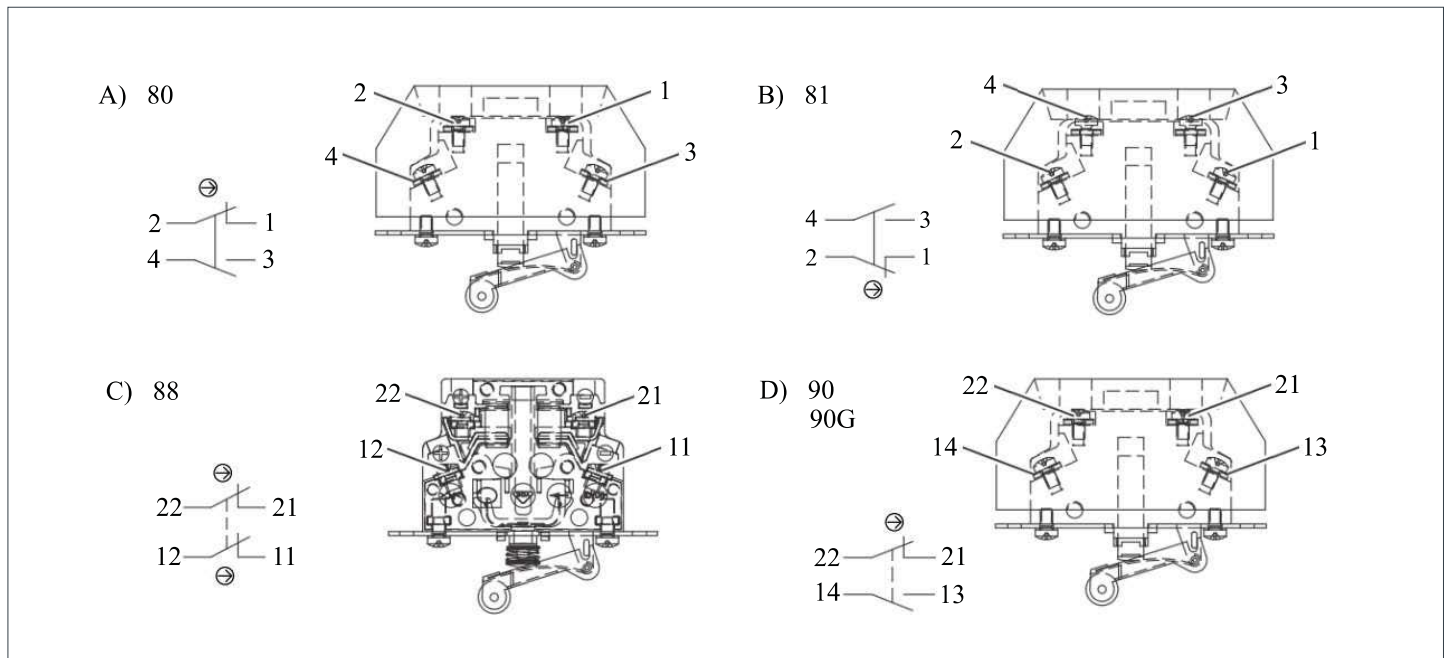
- Switches with positive opening
- For up to 10 million mechanical switching operations
- Galvanically isolated contacts possible
- Push or snap action switches

### Application

- Silver plated contacts for relays
- Gold plated contacts for low electrical loads (<12 V, <50 mA); mechanical endurance limited to 50.000 switching operations

### Additional information

- Up to 3 switches can be installed inside
- Gold plated contacts prevent corrosion-related contact resistances



Designation	Type of switch		Contact material		Switching system		Connection screw terminals; 0,75 - 2,5 mm <sup>2</sup> / AWG 14 ... 20	Functionality		Electrical data		
	Change-Over (NC / NO)	Normally closed (NC)	Silver	Gold (PLC-Application)	Snap-action	Push-action		Positive opening acc. to EN 60947-5-1 Annex K	Short circuit protection	Utilization category acc. to IEC 60947	Conventional thermal current I <sub>th</sub>	Rated Insulation Voltage U <sub>i</sub>
80	•		•		•		•	•	6A gG	AC-15: 3A, 230V DC-13: 1A, 110V	10A	400V
81	•		•			•	•	•	6A gG	AC-15: 3A, 230V DC-13: 1A, 110V		
90	•		•		•		•	•	6A gR	AC-15: 1A, 230V DC-13: 0,5A, 110V		
90G	•			•	•		•	•	2A gG	AC-12: 0,25A, 230V DC-12: 0,25A, 110V		
88		•		•	•		•	•	10A gG	AC-15: 1,5A, 230V DC-13: 1,5A, 24V		



# GEARED CAM LIMIT SWITCHES

Limit Switch Control Current

Worm / Bevel Geared Cam Limit Switches

## Series LC<sup>®</sup> – Light Cam<sup>®</sup> B3

Revision number: 3.1.2.5-01

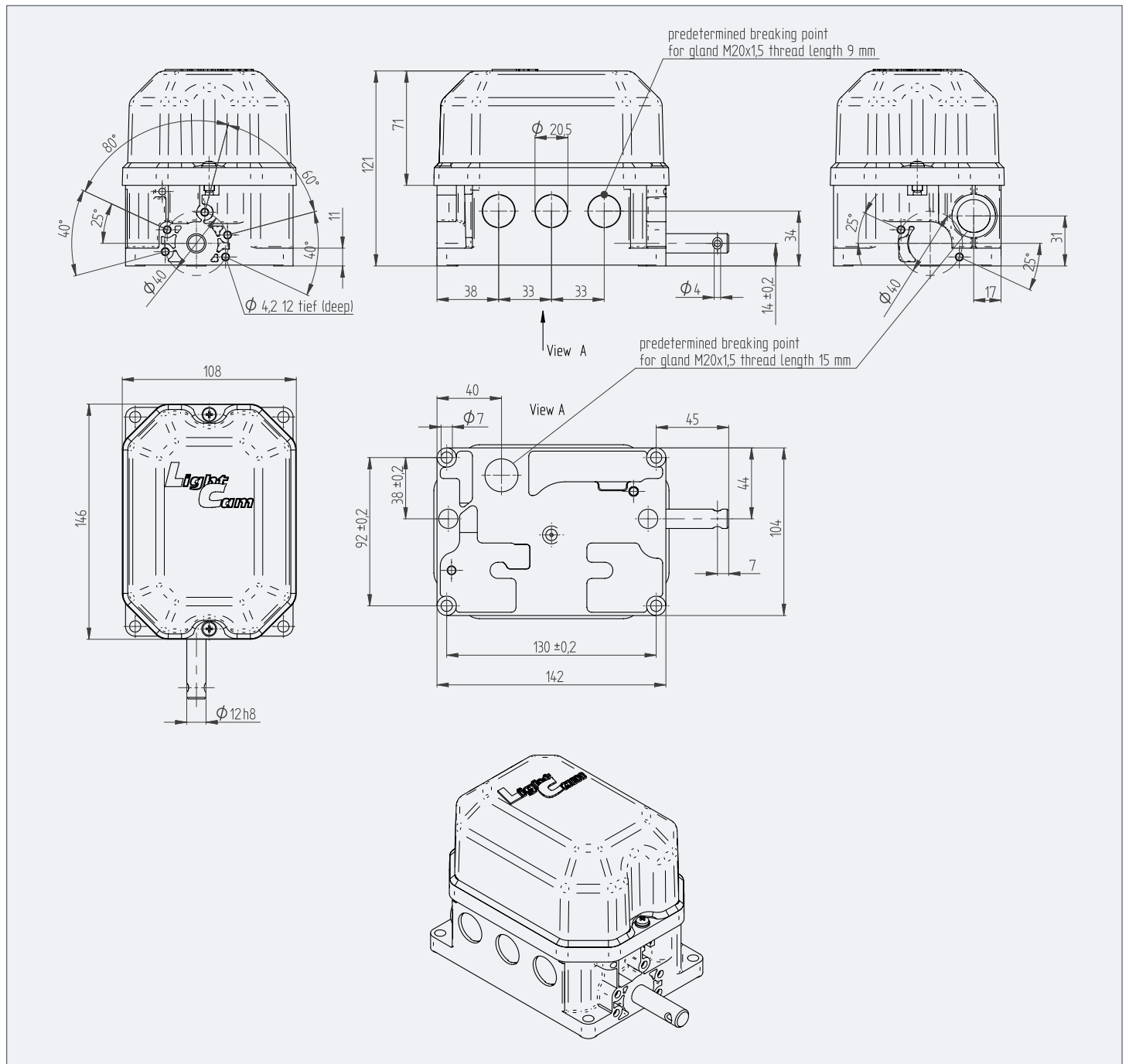
Revision date: 19.11.2019

### Features

- Synthetic housing IP65 for outdoor application

### Application

- Crane
- Wind
- Stage



# GEARED CAM LIMIT SWITCHES

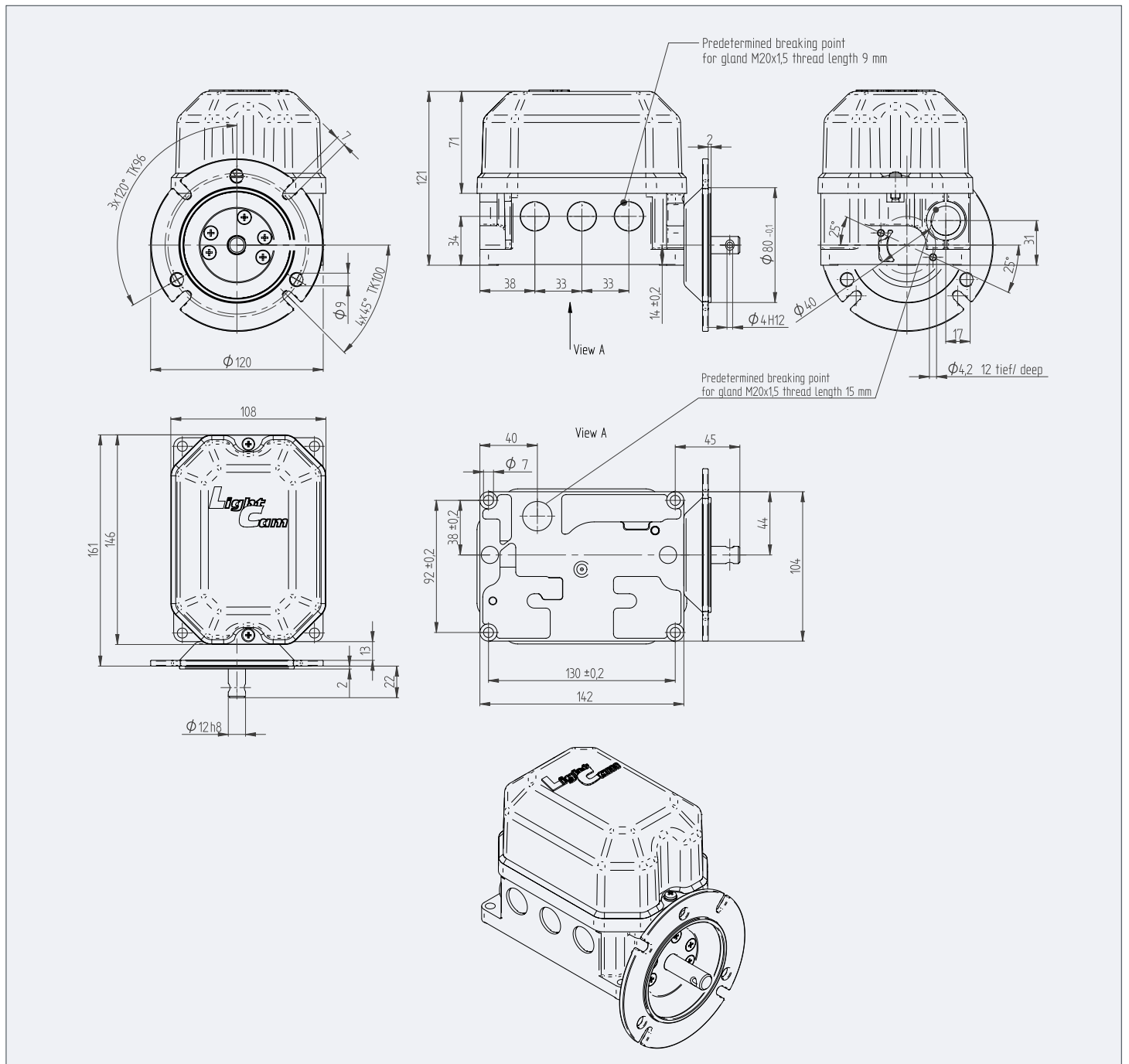
Limit Switch Control Current

Worm / Bevel Geared Cam Limit Switches

## Series LC<sup>®</sup> – Light Cam<sup>®</sup> B5

Revision number: 3.1.2.6-01

Revision date: 19.11.2019



# GEARED CAM LIMIT SWITCHES

Limit Switch Control Current

Worm / Bevel Geared Cam Limit Switches

## Series LC<sup>®</sup> – Light Cam<sup>®</sup> Metal B3

Revision number: 3.1.2.7-02

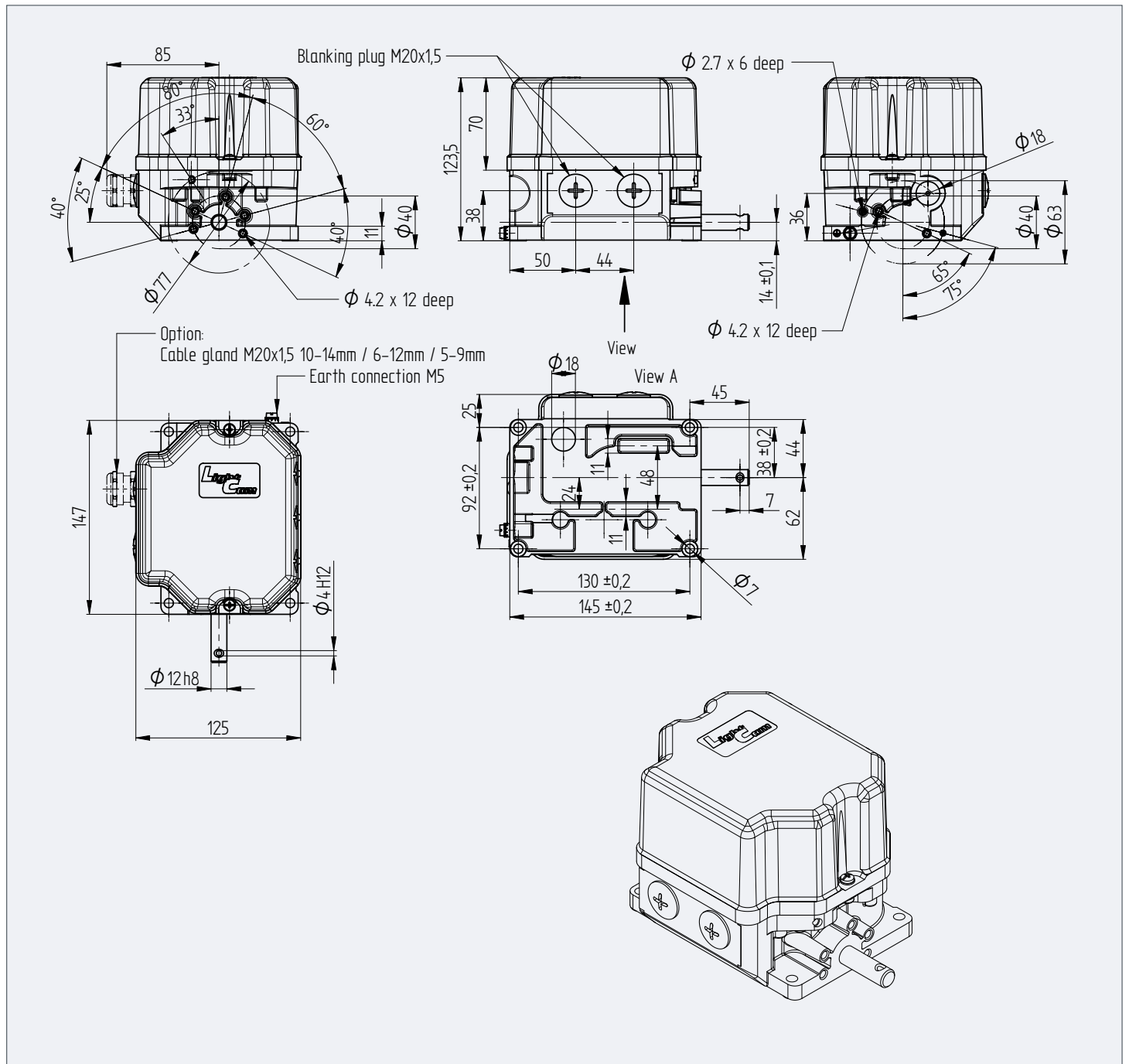
Revision date: 28.10.2022

### Features

- Robust aluminum housing protection IP66

### Application

- Crane
- Wind



# GEARED CAM LIMIT SWITCHES

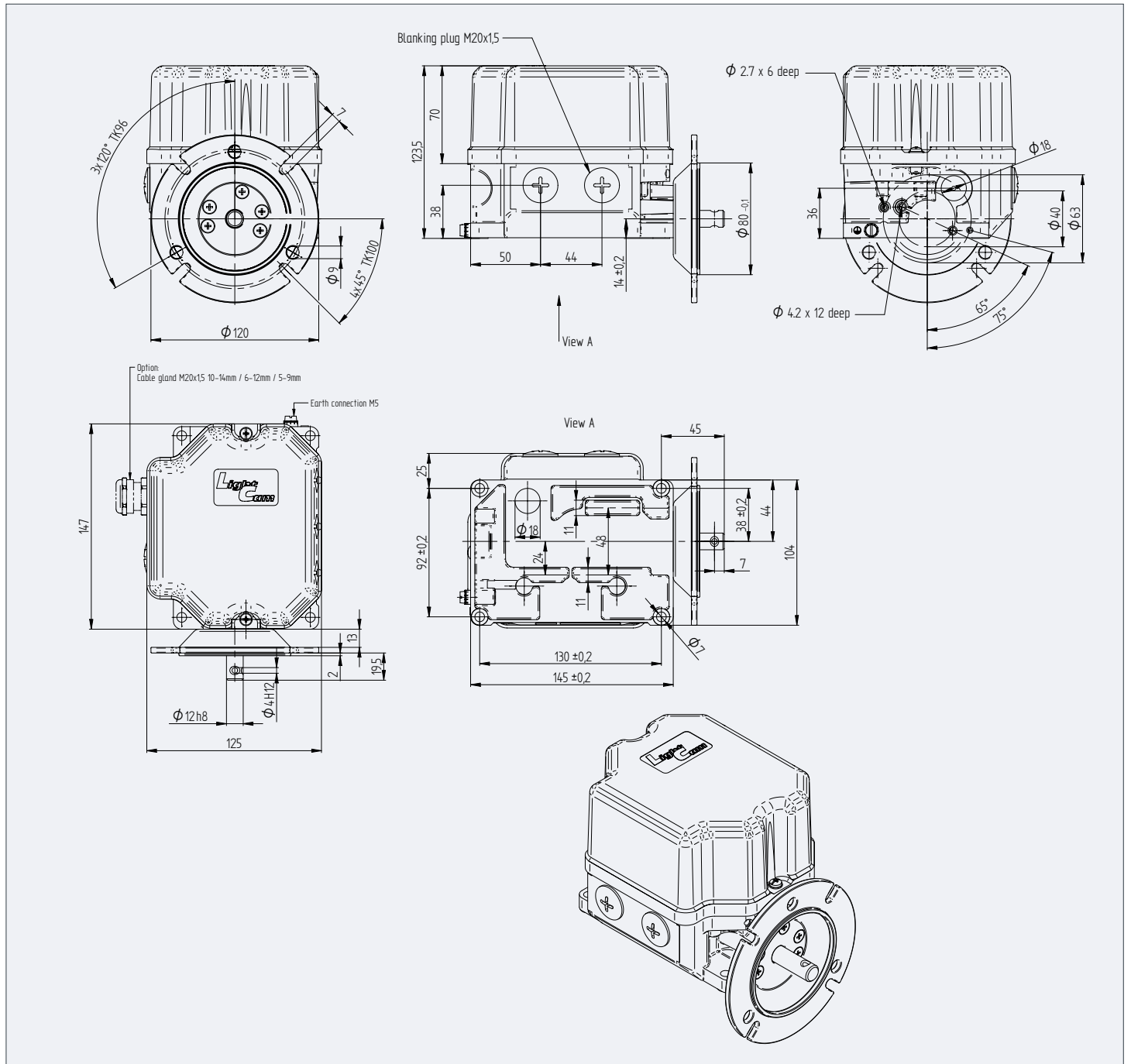
Limit Switch Control Current

Worm / Bevel Geared Cam Limit Switches

## Series LC<sup>®</sup> – Light Cam<sup>®</sup> Metal B5

Revision number: 3.1.2.8-02

Revision date: 28.10.2022



# LC<sup>®</sup> / LC<sup>®</sup> M – Customizable Cam Discs

Revision number: 3.1.2.9-02

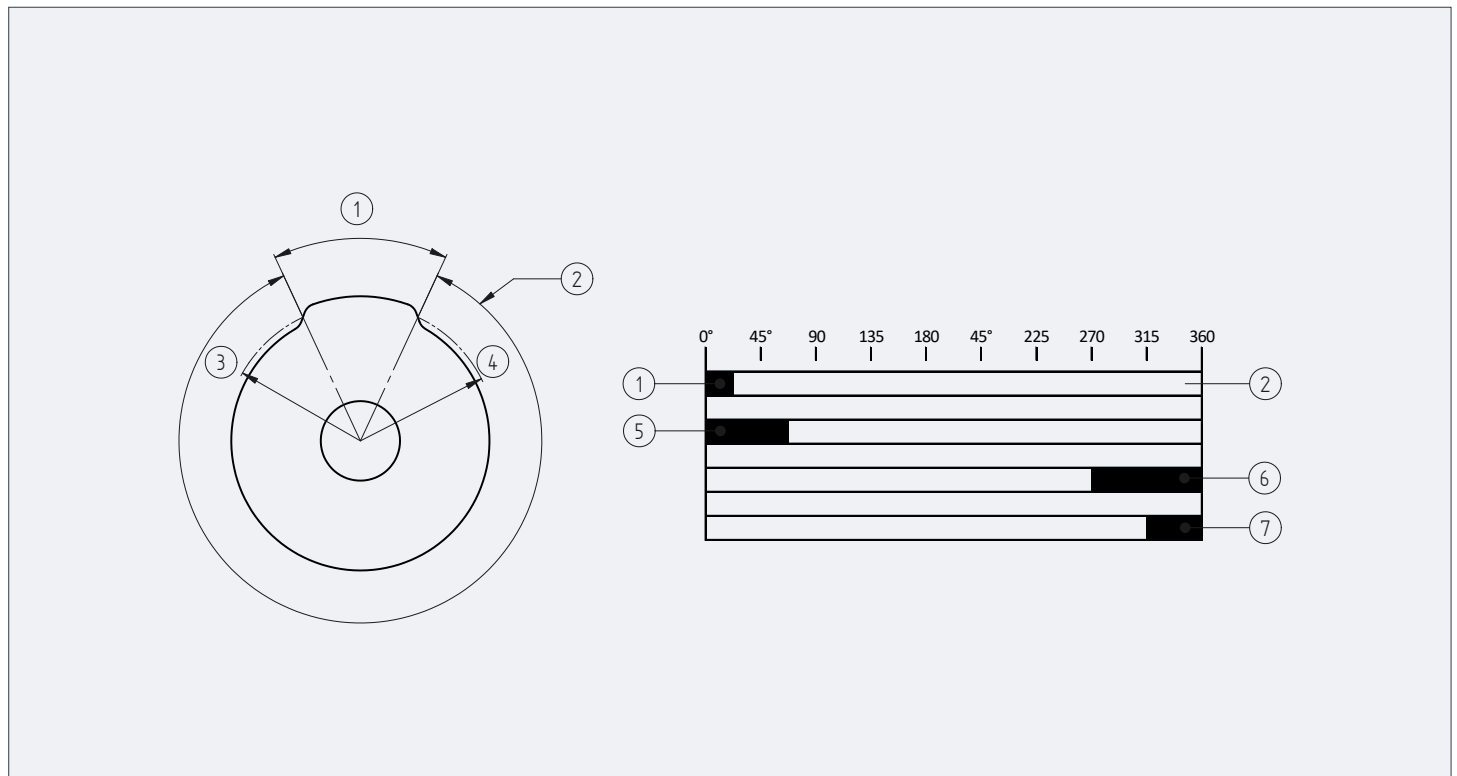
Revision date: 29.08.2024

### Features

- 40 degree cam discs standard
- Other cam angles on request

### Application

- For different switching programs cam discs with customized angles can be manufactured



- A Cam angle diagram
- 1 Effective cam angle  $\alpha$  (=castor angle)
- 2 Usable cam angle  $\beta$
- 3 Switching point radius
- 4 Reset point radius

- B Application examples
- 1 Effective cam angle 15°
- 5 Effective cam angle 60°
- 6 Effective cam angle 90°
- 7 Effective cam angle 45°

The cam discs are named after the effective cam angle. For cam discs of series Light Cam<sup>®</sup> / Light Cam<sup>®</sup>M, this corresponds to the switching point angle on the switching point radius of the cam disc. Standard cam angle for series Light Cam<sup>®</sup> / Light Cam<sup>®</sup>M is 40°. Any cam angles (15° – 345°) can be supplied as a special design upon request.

For cam discs with an effective angle alpha other than 40°, the usable revolutions and the overrun revolutions are obtained by multiplying the values stated in the table „gear data“ by the following factors:

$$\text{Factor usable revolutions} = \frac{360^\circ - \alpha^\circ}{360^\circ - 40^\circ}$$

$$\text{Factor overrun revolutions} = \frac{\alpha^\circ}{40^\circ}$$



# GEARED CAM LIMIT SWITCHES

Limit Switch Control Current

Worm / Bevel Geared Cam Limit Switches

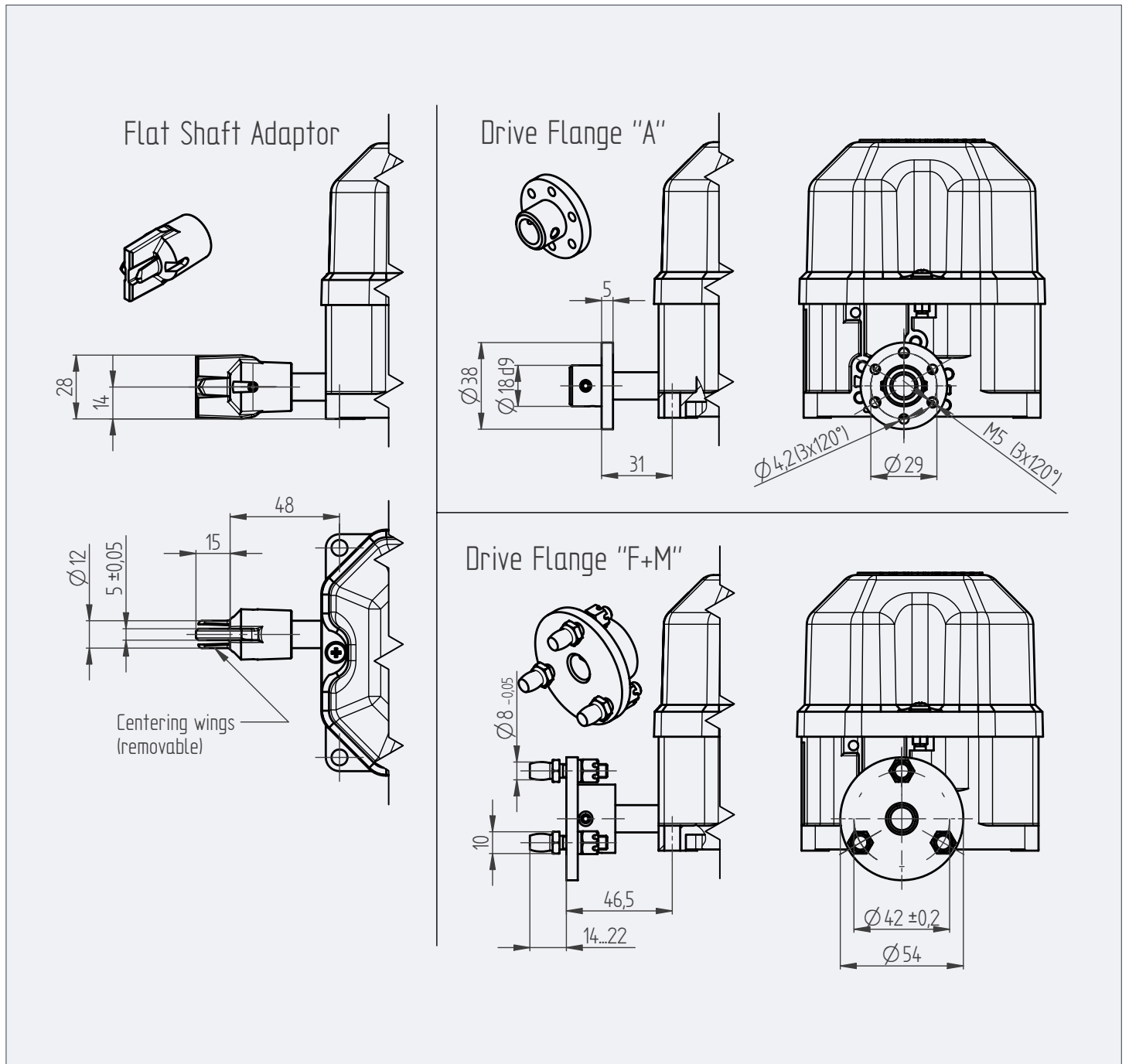
## LC<sup>®</sup> / LC<sup>®</sup> M – Optional Drive Flanges

Revision number: 3.1.2.10-01

Revision date: 19.11.2019

### Features

- Easy adaptation for crane hoist with flange F+M and flat shaft adaptor
- Flange A for pinion wheels and belt drives



# GEARED CAM LIMIT SWITCHES

Limit Switch Control Current

Worm / Bevel Geared Cam Limit Switches

## LC<sup>®</sup> / LC<sup>®</sup> M – Option: Anti-Condensation-Heating

Revision number: 3.1.2.11-02

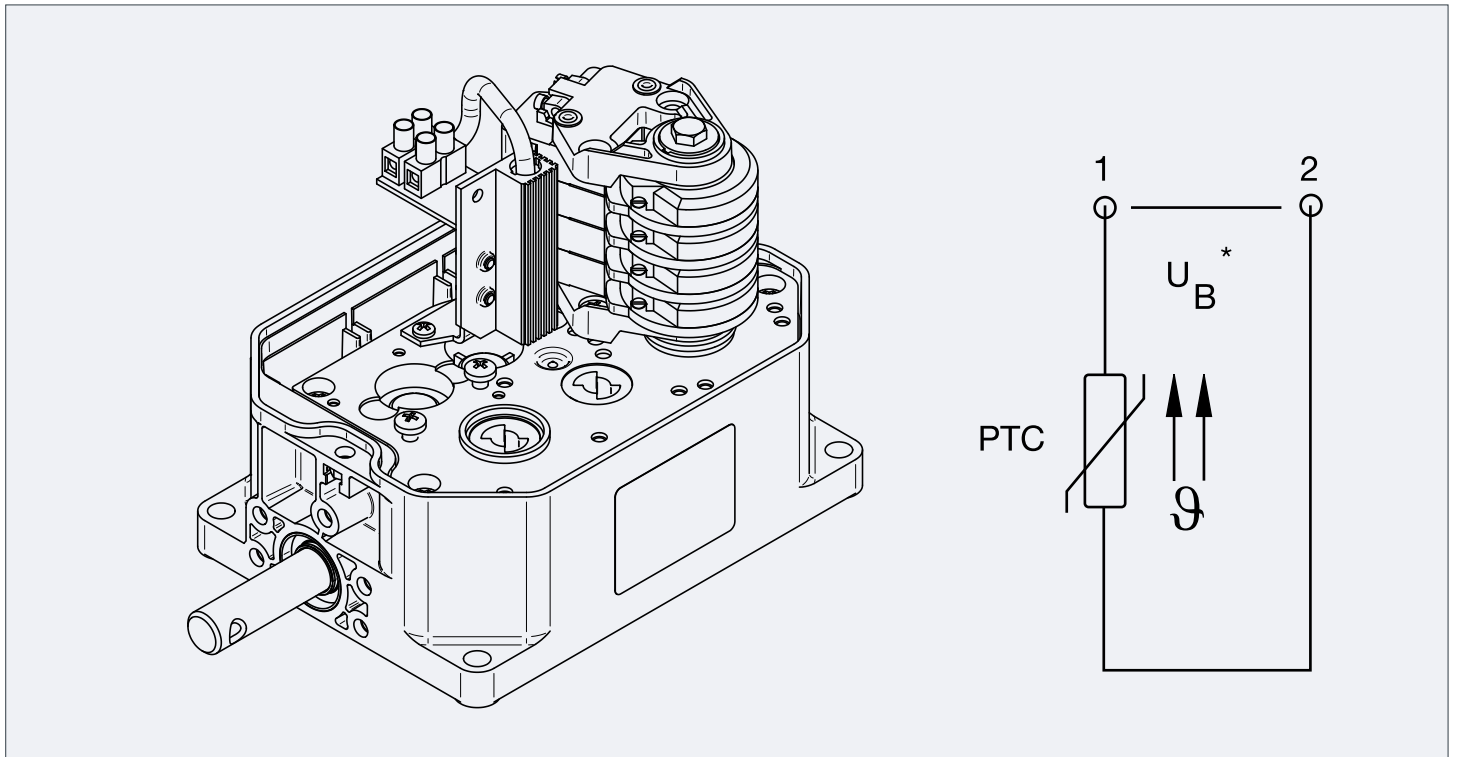
Revision date: 06.09.2022

### Features

- PTC regulated heater
- 12 -36 or 110 – 250 V AC/DC

### Application

- For application with high humidity or changing temperatures to avoid condensation water



Design: UB	12 – 30 V AC/DC	110 – 250 V AC/DC
Heat Output	ca. 2.5 Watts	ca. 4 Watts
PTC Cooling resistor (at 25 °C)	$R_{25} = 20 \Omega \pm 35 \%$	$R_{25} = 1500 \Omega \pm 35 \%$
PTC Reference temperature	50 °C	50 °C
Protection class (VDE 0100, 0160)	not required	II
Connecting cable	2 x 0,25 mm <sup>2</sup> , Silicon cable	2 x 0,25 mm <sup>2</sup> , Silicon cable
Radiator	Anodised aluminum	Anodised aluminum
Weight	approx. 40 g	approx. 40 g

# GEARED CAM LIMIT SWITCHES

## Limit Switch Control Current

Worm / Bevel Geared Cam Limit Switches

## LC® / LC® M – Option: Potentiometer

Revision number: 3.1.2.12-01

Revision date: 19.11.2019

### Features

- Cost effective solution for analog measurement

### Application

- For simple measurements with lower requirements for preciseness

Connector	
Solid conductor	0.5 ... 2.5 mm <sup>2</sup> / 20 ... 12 AWG
Fine-stranded conductor	0.5 ... 2.5 mm <sup>2</sup> / 20 ... 12 AWG
Strip length	ca. 4 mm / ca. 0.15 Inch

Pin Assignment	
Pin	Color
1	red
2	blue
3	black

### Technical data

		wirewound			conductive synthetic			
Effective electrical angle of rotation*	355° ±5°				350° ±2°			
Rotational noise (ENR)	100 Ohm							
Max. / recommended wiper current	35 mA / 2 µA				max. 1 µA			
Power rating @ 70°C	0,5 W							
Insulation Voltage	1000 VAC, 1 min							
Insulation Resistance	1000 Mohm @ 1000 VDC				> 10 Mohm @ 500 V			
Lifetime	1 Mio. rotations (90% el. eff. angle half sine)*				100.000.000 movements*			
Operating temperature range	-20 ... +80 °C				-30 ... +80 °C			
Vibration (IEC 68-2-6, Test Fc)	15g 10..2000Hz x 12h				20g / 5..2000Hz / 0,75 mm			
Shock (IEC 68-2-27, Test Ea)	49g @ 11 ms x 18				50g / 11 ms			
Total resistance [kOhm]	1	2	5	10	20	1	2	5
Resistance tolerance	±3%	±3%	±3%	±3%	±3%	±20%	±20%	±20%
Independent linearity (best straight line)	±0,35%	±0,25%	±0,25%	±0,25%	±0,25%	±0,075%	±0,075%	±0,075%
Number of wire turns	570	740	1000	1270	1670	-	-	-
Theoretical resolution	0,18%	0,14%	0,10%	0,08%	0,60%	0,008°	0,008°	0,008°

\* Referring to potentiometer shaft

# GEARED CAM LIMIT SWITCHES

Limit Switch Control Current

Worm / Bevel Geared Cam Limit Switches

## LC<sup>®</sup> / LC<sup>®</sup> M – Option: Analog Encoder 4 – 20 mA

Revision number: 3.1.2.13-02

Revision date: 12.10.2021

### Features

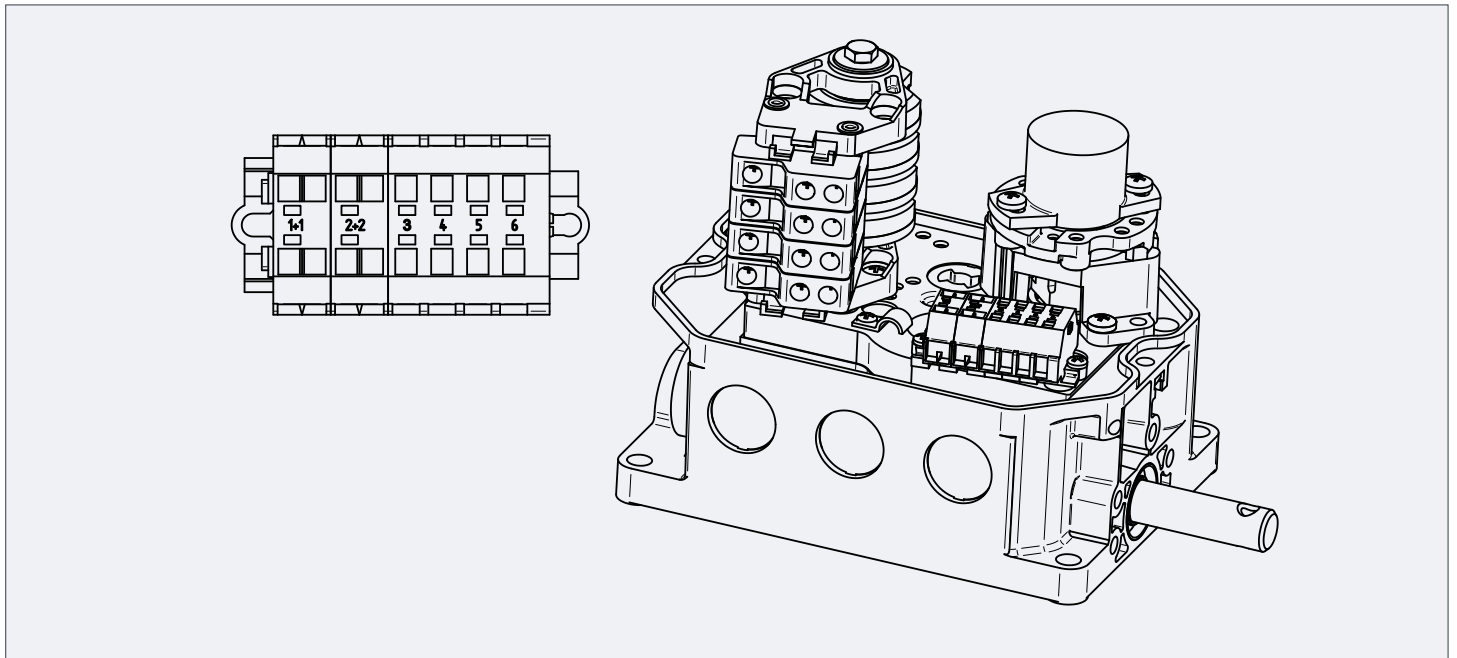
- Contactless measuring method
- Absolute value acquisition
- Long lifetime
- Turning synchronously with the cam discs

### Application

- For simple measuring of absolute signals

### Additional information

- Programmable type on request



Technical Data	
	non-programmable type
Drive	Coupling (1:1 with cam discs)
Measuring range (Referring to encoder shaft)	360°
Output Signal	4 ... 20 mA
Turning direction (Referring to drive shaft limit switch)	cw rising values
Resolution	12 Bit
Indep. Linearity	± 0.3 % of measuring range
Supply Voltage	16 ... 35V DC
Current consumption without load (typ.)	19 mA
Ohmic load at output	0 ... 500 Ohm
Max. capacitive load at output	100 nF
Lifetime	50 mio. movements
Operating Temperature	-40°C ... +85 °C

Signal	Pin	Color
Supply Voltage	1+1	brown
Ground	2+2	green
-	3	-
Output signal	4	white
Screen	5	
-	6	-

# GEARED CAM LIMIT SWITCHES

Limit Switch Control Current

Worm / Bevel Geared Cam Limit Switches

## LC<sup>®</sup> / LC<sup>®</sup> M – Option: Incremental Encoder

Revision number: 3.1.2.14-01

Revision date: 19.11.2019

### Features

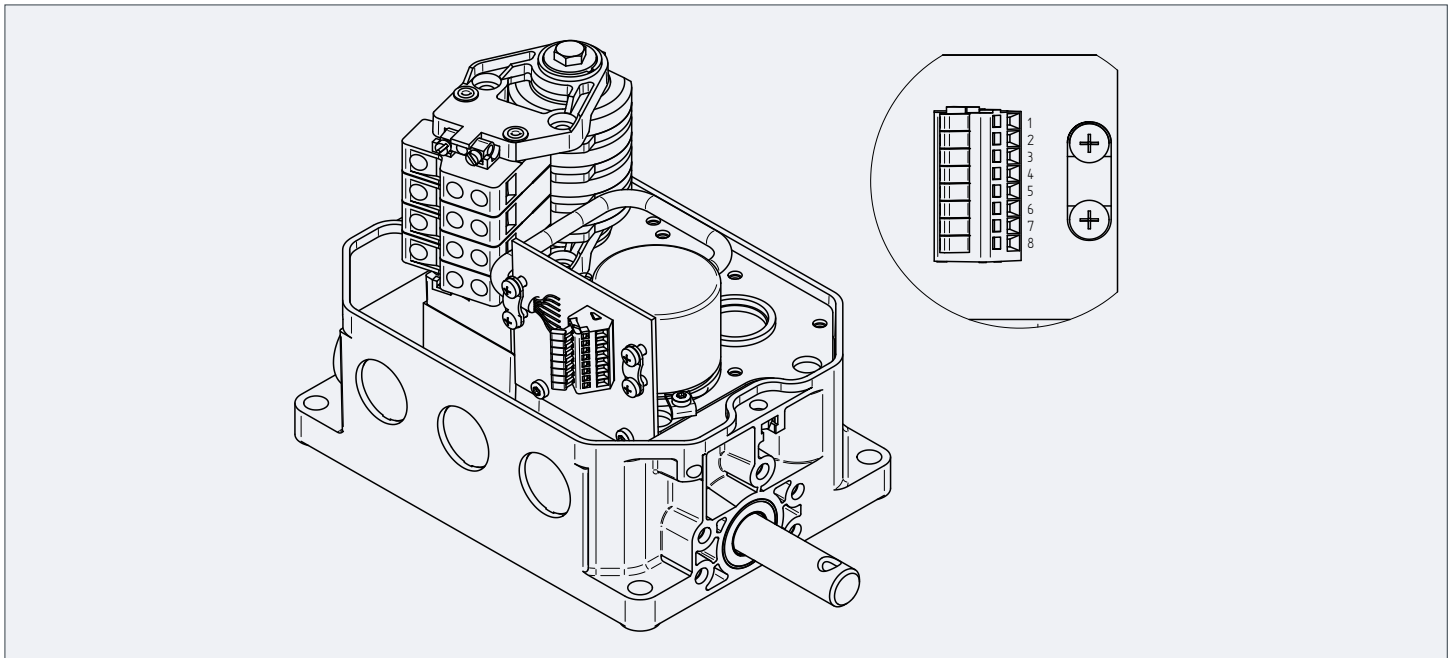
- Optical measuring
- Up to 3600 increments in small housing possible
- Already wired to squirrel cage tension

### Application

- For giving information about speed and position

### Additional information

- Driven 1:1 by bevel gear



Technical Data	RS422	Push-Pull	Assignment	Pin	Color	Connector	
Power Supply UB	5 V ± 5% or 8...30 V	8 ... 30 V DC	Ground	1	white	Solid conductor	0.08 ... 1.5 mm <sup>2</sup> / 28 ... 16 AWG
Pulses / 360°	5 ... 3600		Supply-Voltage V <sub>cc</sub>	2	brown	Multi-stranded conductor	0.08 ... 1.5 mm <sup>2</sup> / 28 ... 16 AWG
Power consumption	Typ. 40 mA	< 40 mA	A - Signal	3	green	Fine-stranded conductor	0.08 ... 1.5 mm <sup>2</sup> / 28 ... 16 AWG
(without load)	Max. 90 mA		B - Signal	4	yellow	Strip length	9 ... 9 mm / 0.31 ... 0.35 Inch
Permissible load	± 20 mA	± 50 mA	0 - Signal	5	gray		
Signal level "high"	> 2,5 V	> V <sub>cc</sub> - 3 V	A-Inv. - Signal	6	pink		
Signal level "low"	< 0,5 V	< 2,5 V	B-Inv. - Signal	7	blue		
Max. Frequency	300 kHz	200 kHz	0-Inv. - Signal	8	red		
Operating Temperature	-40°C ... +85 °C (5...1024 pulses)						
	-30°C ... +85 °C (>1024 pulses)						



# GEARED CAM LIMIT SWITCHES

Limit Switch Control Current

Worm / Bevel Geared Cam Limit Switches

## LC<sup>®</sup> / LC<sup>®</sup> M – Option: SSI Multiturn Encoder

Revision number: 3.1.2.15-01

Revision date: 19.11.2019

### Features

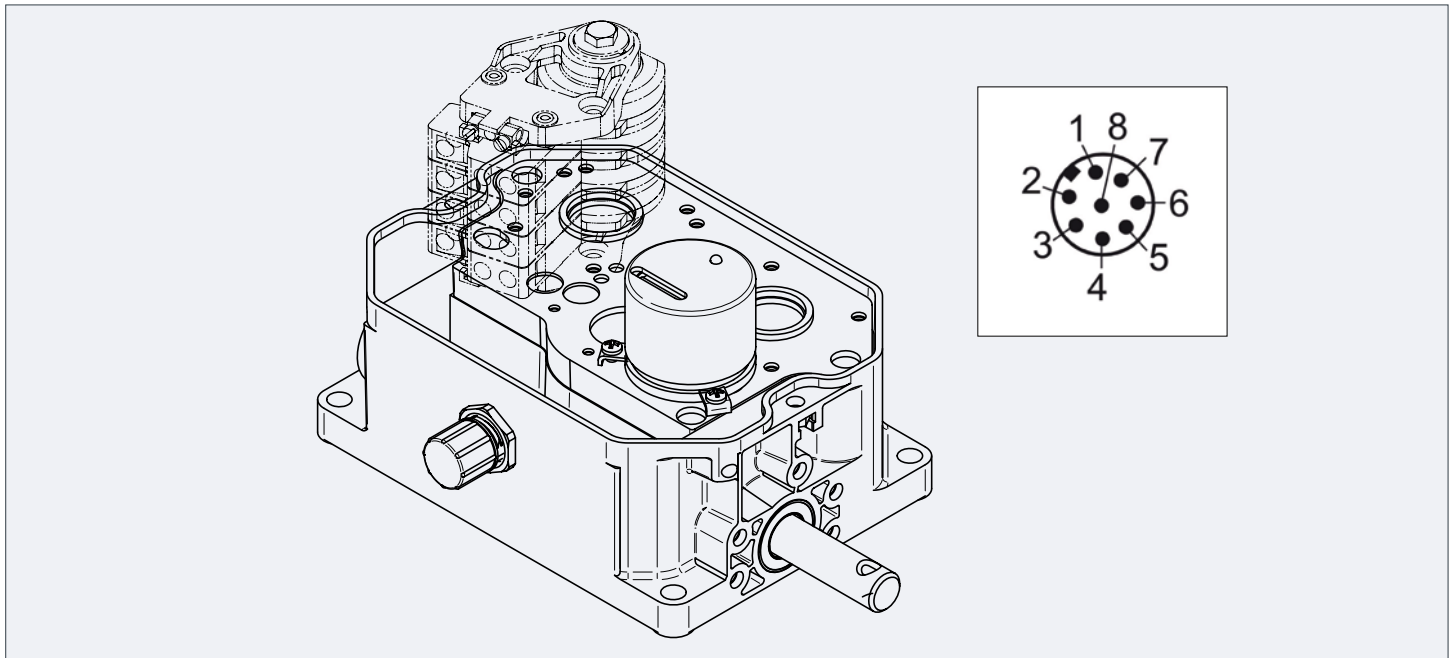
- Absolute value with high preciseness
- Without gear (Energy harvesting technology)
- Connection via M12 plug at the outside of the housing

### Application

- For very high accuracy demands

### Additional information

- Driven 1:1 by the bevel gear



Technical Data	
Resolution Singleturn	8 ... 14 Bit
Resolution Multiturn	1 ... 39 Bit
Interface	SSI
Code	Gray / Binary
Clock frequency	100 kHz ... 500 kHz
Data output	RS485 comp.
Power Supply	10 ... 32 V DC
Power Consumption	Max. 0,5 W
Turn on time	max. 1,5 s
Operating Temperature	-40°C ... +85 °C

Configuration	
Turning direction	CW : DIR = GND
(View on shaft)	CCW : DIR = +UB
Set to Zero	Preset = +UB (2s)
Deactivate	Preset = GND
LED -Behaviour	
At Boot-Up	red (< 2,3s)
Error	red (> 2,3s)
Normal function	green

Pin Assignment		
Signal	Pin	Color
Ground	1	white
Supply Voltage	2	brown
SSI CLK +	3	green
SSI CLK -	4	yellow
SSI DATA +	5	gray
SSI DATA -	6	pink
Preset	7	blue
DIR	8	red
Screen	9	violet

# GEARED CAM LIMIT SWITCHES

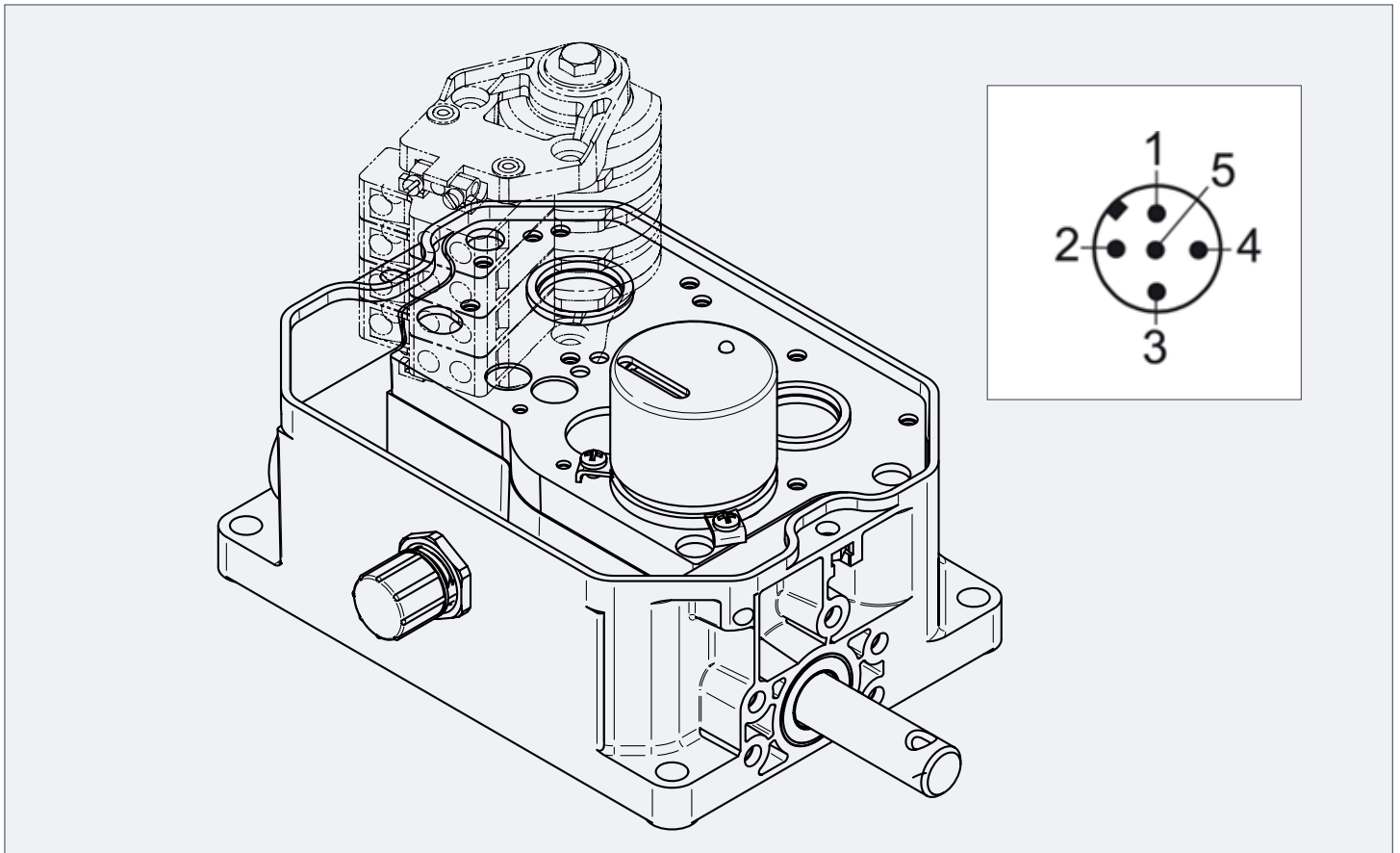
Limit Switch Control Current

Worm / Bevel Geared Cam Limit Switches

## LC<sup>®</sup> / LC<sup>®</sup> M – Option: CANopen Multiturn Encoder

Revision number: 3.1.2.16-01

Revision date: 19.11.2019



Technical Data	
Resolution singleturn	8 ... 14 Bit
Resolution multiturn	1 ... 39 Bit
Code	Binary
Interface	CAN
Protocol	CANopen
Node ID	1 ... 127 (default: 127)
Programmable CAN transmission modes	Synchronous / Asynchronous
Power Supply	10 ... 32 V DC
Power Consumption	Max. 0,5 W
Turn on time	max. 1,5 s
Operating Temperature	-40°C ... +85 °C

Pin Assignment		
Signal	Pin	Color
Ground	1	white
Supply Voltage	2	brown
SSI CLK +	3	green
SSI CLK -	4	yellow
SSI DATA +	5	gray
SSI DATA -	6	pink
Preset	7	blue
DIR	8	red
Screen	9	violet

Standard settings as well as any customization in the software can be changed via LSS (CiA 305) and the SDO protocol (PDOs, Scaling, Heartbeat, Node-ID, Baud rate, etc.)

# GEARED CAM LIMIT SWITCHES

Limit Switch Control Current

Worm / Bevel Geared Cam Limit Switches

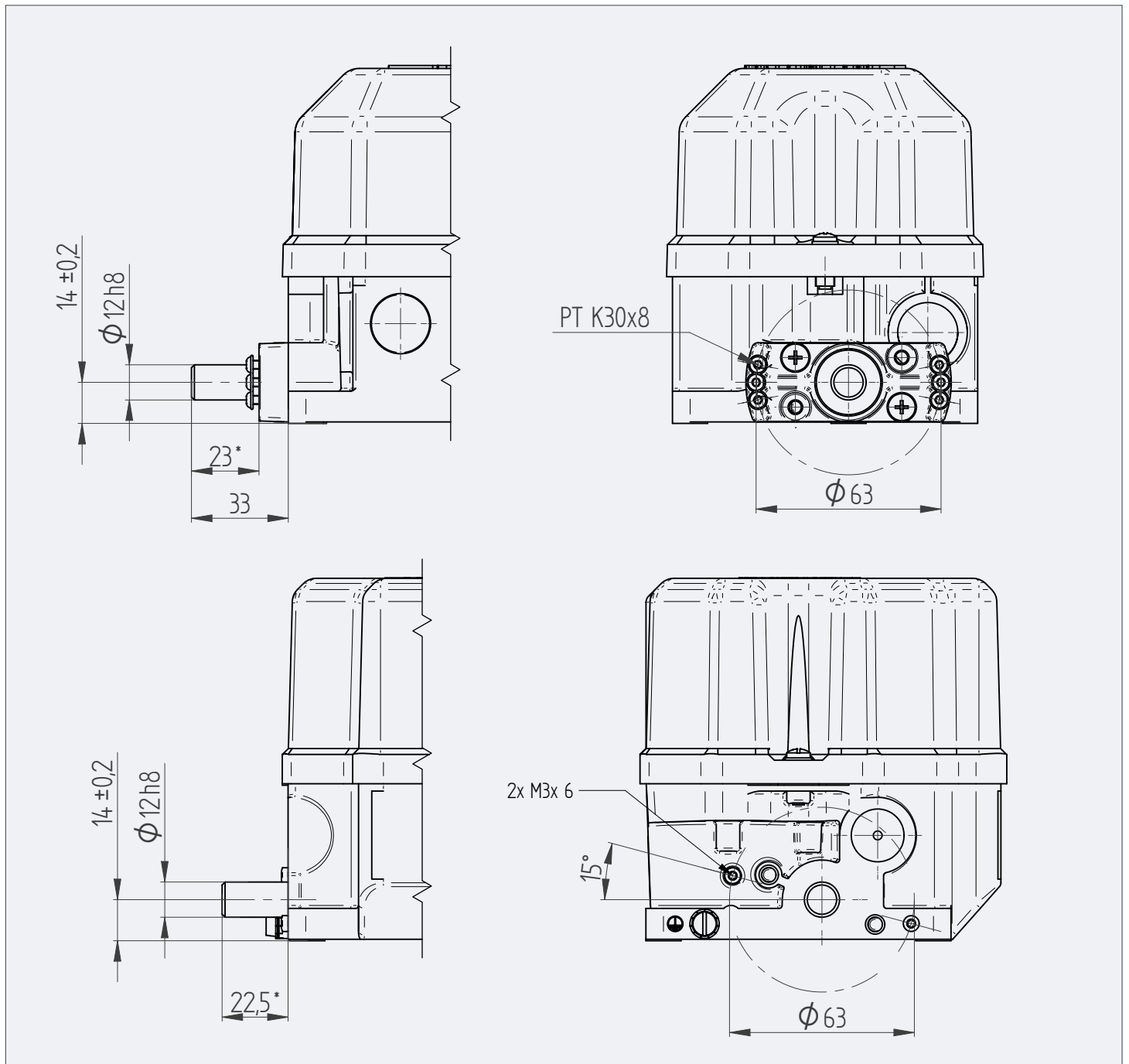
## LC<sup>®</sup> / LC<sup>®</sup> M: 2nd shaft end (encoder drive)

Revision number: 3.1.2.17-02

Revision date: 28.10.2022

### Additional information

- For driving multiturn hollow shaft encoders from the second shaft end
- Driven 1:1 by the input shaft



# GEARED CAM LIMIT SWITCHES

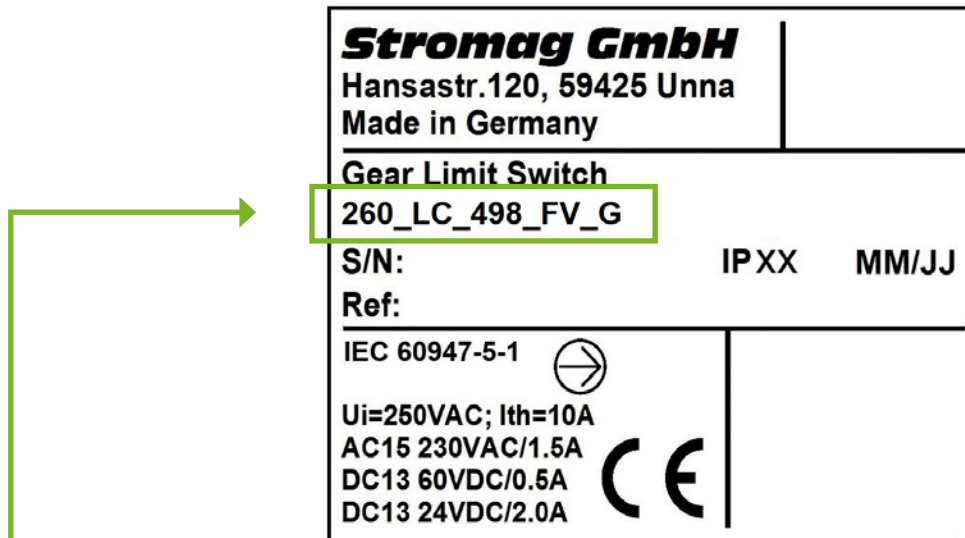
Limit Switch Control Current

Worm / Bevel Geared Cam Limit Switches

## LC® / LC® M: Key of Types

Revision number: 3.1.2.18-04

Revision date: 29.08.2024



Light Cam® / Light Cam® Metal	Switch type: GCLS Series Light Cam® / Light Cam® Metal		
260	Nominal Revolutions	0.85, 1.85, 3.9, 6, 9, 15, 25, 29, 53, 76, 95, 135, 180, 260, 360, 435, 515, 620, 880	
LC	Housing type	Light Cam®	Synthetic housing
		Light Cam® M	Aluminum housing
4	Number of switches fitted	1 - 8	
98	Type of switch fitted	98	Switch (changeover) with screw connections, contact material: Silver (standard)
		98G	Switch (changeover) with screw connections, contact material: Gold
		99P	Switch (changeover) with flat plug connections, contact material: Silver
		99T	Switch (push action) with screw connections, contact material: Silver
		99A	Switch (push action) with screw connections, contact material: Gold
		90	Switch (NC+NO) with screw connections, contact material: Silver
		90G	Switch (NC+NO) with screw connections, contact material: Gold
		88	Switch (2x NC) with screw connections, contact material: Gold
		80	Switch (NC+NO) with screw connections, contact material: Silver
81	Switch (NC+NO, push action) with screw connections, contact material: Silver		
FV	Type of cam discs	FV	Precise adjustable
G	Additional components	G	With encoder / sensor
		P	With potentiometer

# GEARED CAM LIMIT SWITCHES

Limit Switch Control Current

Worm / Bevel Geared Cam Limit Switches

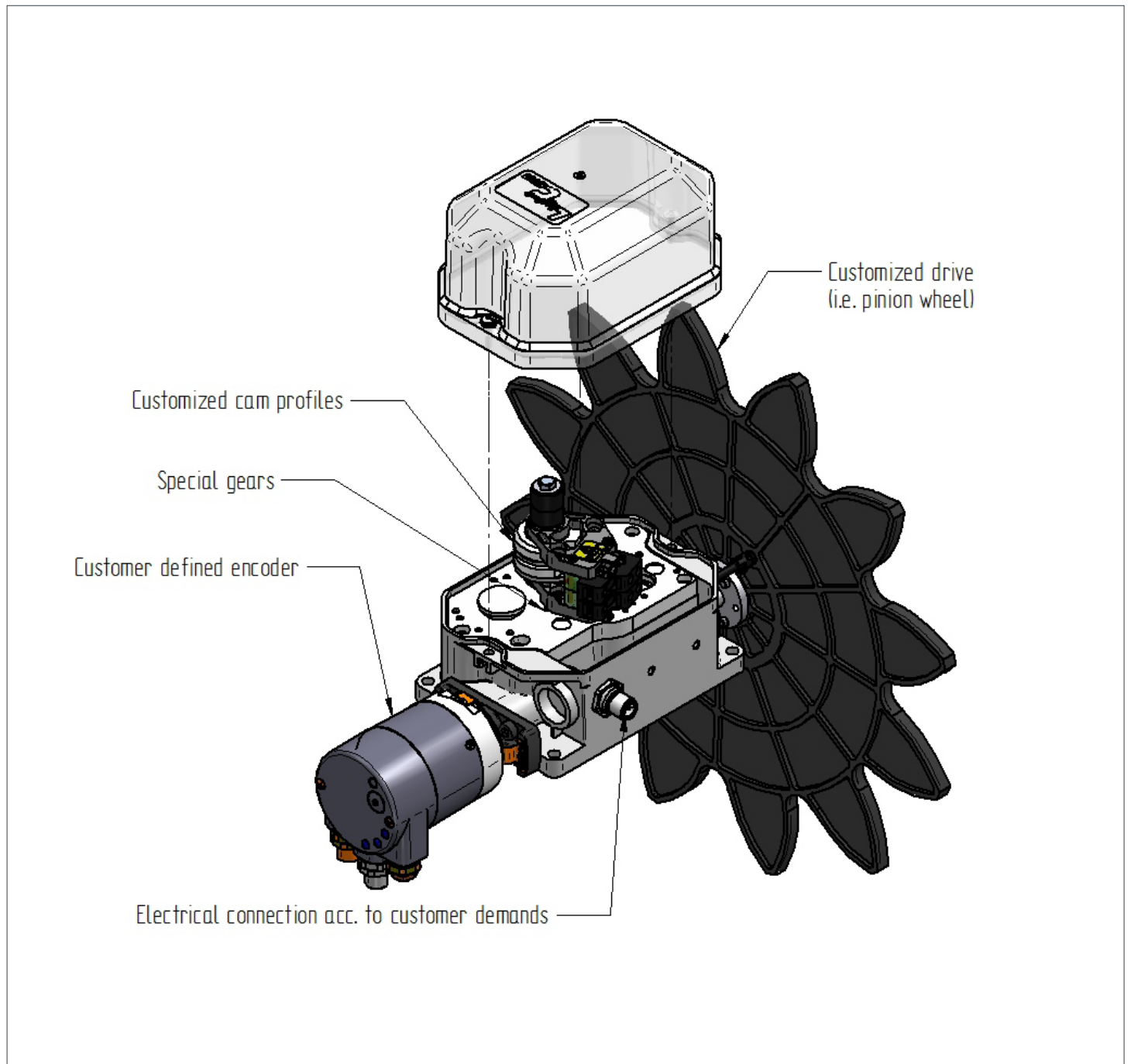
## LC<sup>®</sup> / LC<sup>®</sup> M: Highly customizable solutions

Revision number: 3.1.2.19-01

Revision date: 19.11.2019

### Additional information

- Pinion wheels available on request
- Highly customized options for almost all parts available on request





# **Stromag**<sup>™</sup>

## **Regal Rexnord**

[regalrexnord.com](https://www.regalrexnord.com)

### **Stromag GmbH**

Hansatraße 120

59425 Unna - Germany

+49 2303 102 - 0

[Stromag.com](https://www.stromag.com)

The proper selection and application of products and components, including assuring that the product is safe for its intended use, are the responsibility of the customer. To view our Application Considerations, please visit <https://www.regalrexnord.com/Application-Considerations>.

To view our Standard Terms and Conditions of Sale, please visit <https://www.regalrexnord.com/Terms-and-Conditions-of-Sale>.

"Regal Rexnord" is not indicative of legal entity. Refer to product purchase documentation for the applicable legal entity.

Regal Rexnord and Stromag are trademarks of Regal Rexnord Corporation or one of its affiliated companies.

© 2024 Regal Rexnord Corporation, All Rights Reserved.

MCC-P-8316-SG-EN-US 11/24

The logo for Regal Rexnord, featuring a stylized 'R' icon followed by the text 'RegalRexnord' in a bold, sans-serif font.