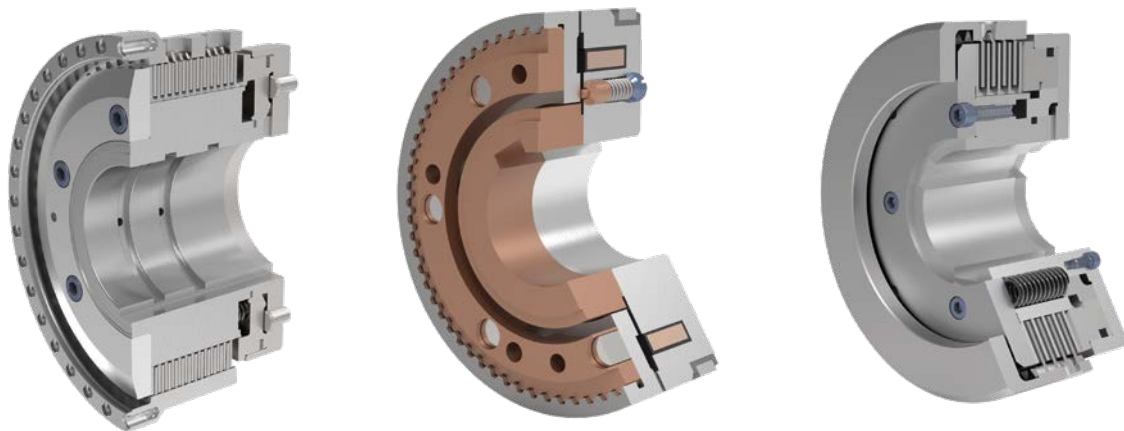




ELECTRIC, HYDRAULIC AND PNEUMATIC CLUTCHES





DECADES OF EXPERIENCE

Across Industries and Applications



Founded in 1932, Stromag™ has grown to become a globally recognized leader in the development and manufacture of innovative power transmission components for industrial drivetrain applications.

Stromag engineers utilize the latest design technologies and materials to provide creative, energy-efficient solutions that meet their customer's most challenging requirements.

Stromag's extensive product range includes flexible couplings, disc brakes, limit switches, an array of hydraulically, pneumatically, and electrically actuated brakes, and a complete line of electric, hydraulic and pneumatic clutches.

Stromag engineered solutions improve drivetrain performance in a variety of key markets including energy, off-highway, metals, marine, transportation, printing, textiles, and material handling on applications such as wind turbines, conveyor systems, rolling mills, agriculture and construction machinery, municipal vehicles, forklifts, cranes, presses, deck winches, diesel engines, gensets and stage machinery.

VISIT US ON THE WEB AT **STROMAG.COM**



ELECTRIC, HYDRAULIC & PNEUMATIC CLUTCHES

MULTI-DISC CLUTCHES

ELECTRIC	EKE / EDE	Page 06
	ERD A	Page 08
HYDRAULIC	KMS	Page 10
	KMS AV	Page 12
	KMSTHC	Page 14
	KMK S	Page 16
PNEUMATIC	KMK T	Page 18

SINGLE-DISC CLUTCHES

ELECTRIC	MWU	Page 22
HYDRAULIC	KHE	Page 24

TOOTH CLUTCHES

ELECTRIC	EZE / EZD	Page 28
	ZAA	Page 30

Multi-disc clutches provide optimal torque transmission within compact dimensions, making them versatile for a wide range of applications.

Stromag offers electrically, hydraulically and pneumatically actuated multi-disc clutches that have been trusted for decades in industries like general machinery, agriculture, construction and marine.

Specifically engineered to the requirements of the customer, these clutches meet the highest standards.

MULTI-DISC CLUTCHES

ELECTRIC	EKE/EDE	Page 6
	ERD A	Page 8
HYDRAULIC	KMS	Page 10
	KMS AV	Page 12
	KMS THC	Page 14
	KMK S	Page 16
PNEUMATIC	KMK T	Page 18

A large red and black ship is docked at a pier. A tugboat is nearby, and the scene is set against a dramatic, cloudy sky at sunset or sunrise. The text is overlaid on a green rounded rectangle in the upper right.

**PROVIDING
WORLD CLASS
SOLUTIONS WITH
UNPARALLELED
EXPERTISE**

EKE / EDE

MULTI-DISC CLUTCH

EKE/EDE electromagnetic multi-disc clutches designed on the principle of “several friction faces equals higher torque”. Suitable for dry and wet running applications and available with one or two slip rings as well as other principles of electrical connection.

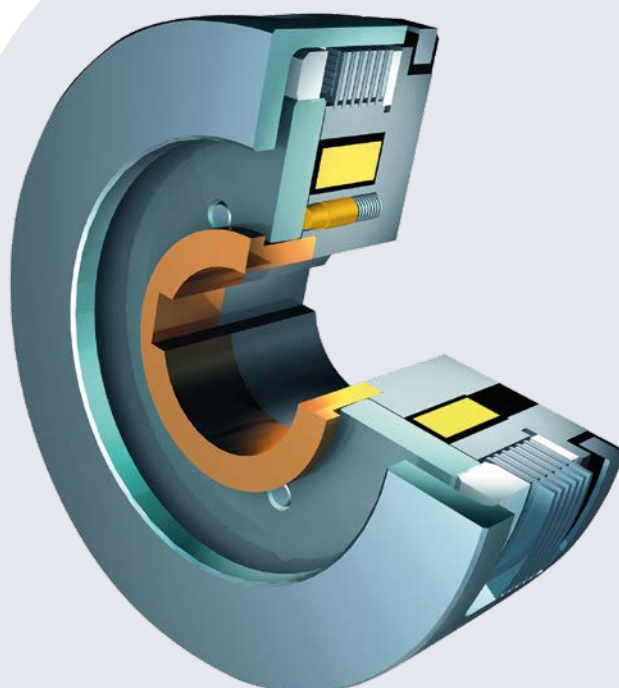
Max. Speed	3000 – 750 rpm
Diameter	100 – 560 mm
Static Torque	14 – 11000 Nm

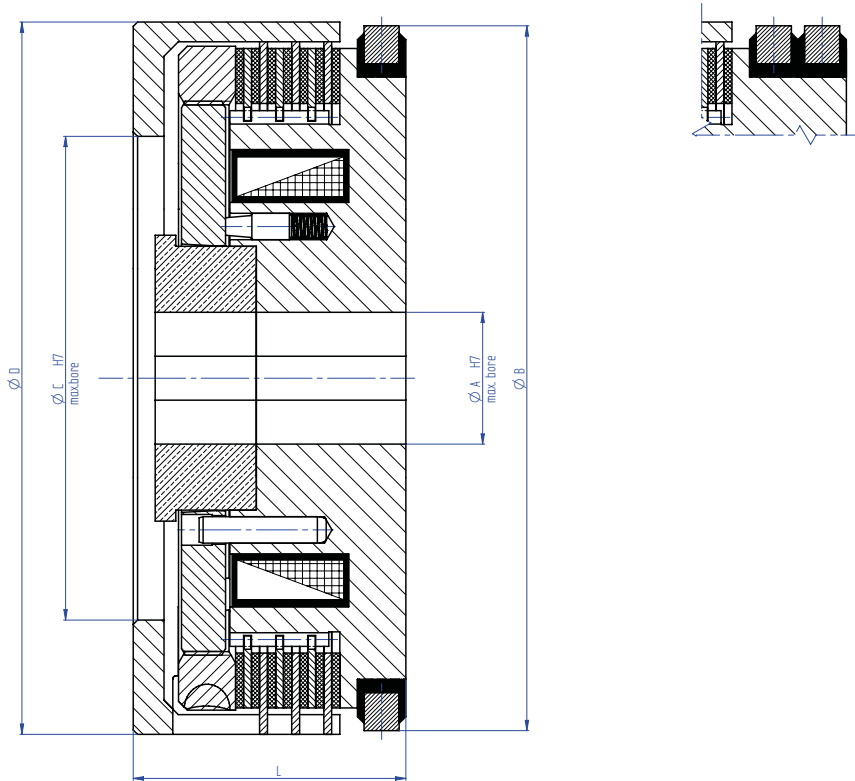
FEATURES

- Braking torque 12.5 – 10,000 Nm (higher on request)
- Wet or dry running possible with suitable friction disc combinations
- Outer diameter 100 – 560 mm
- Small dimensions
- High torques and work capacity
- Free from axial forces
- With or without slip ring(s)
- Maintenance free or low maintenance, simple handling
- Multiple friction faces
- Low residual torque in open condition
- Slight gear backlash in the discs

MARKETS

- Bridge and Dam
- Crane and Hoist
- Farm and Agriculture
- Metals
- Gear Manufacturers
- General Machinery
- Mining and Conveyors





Size			1	2	4	6	10	16	25	41	64	100	1000
Disc pairing steel/sintered bronze/wet running Torque	TÜ	Nm	20	40	63	100	160	250	400	630	1000	1600	16000
Disc pairing steel/sintered bronze/dry running Torque	TÜ	Nm	14	27,5	44	70	110	175	280	440	700	1100	11000
Speed	max.	rpm	3000	3000	30000	3000	3000	2500	2200	2000	1750	1600	750
Weight	EKE	kg	2	2,6	3,2	4	5,5	7,8	11	15	21	32	300
	EDE	kg	2,6	3,5	4,1	5	6,8	9,6	13	18	25	38	335
coil voltage			24V	24V	24V	24V	24V	24V	24V	24V	24V	24V	24V
Diameter	mm	A H7	22	28	32	35	42	48	52	60	70	80	160
		B	100	110	120	132	145	160	180	200	230	255	530
		C H7	70	70	80	90	100	110	120	140	160	200	400
		D	100	110	120	132	147	162	182	202	235	270	560
Lengths	mm	l	45	48	52	55	58	62	68	76	86	100	200

ERD A MULTI-DISC CLUTCH

Electromagnetic actuated multi-disc clutch with bearing supported coil body and plug connection. Designed for applications with electromagnetic-flodded discs to achieve a compact design. Usable in complete sector of machine manufacturing and gears.

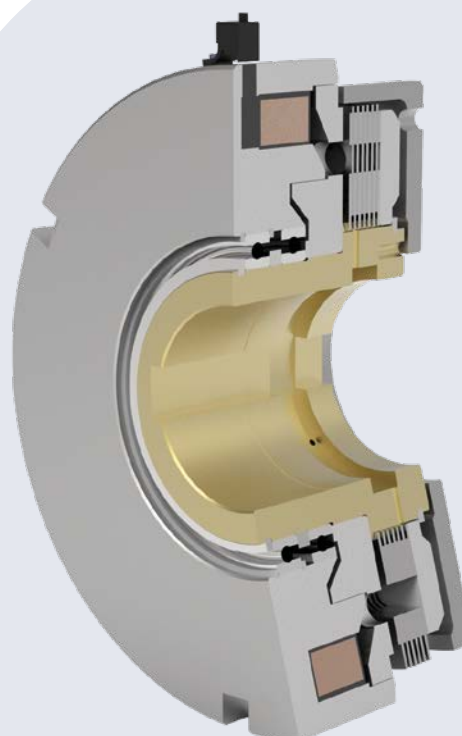
Max. speed	4300 – 1900 rpm
Diameter	112 – 310 mm
Static torque	110 – 4800 Nm

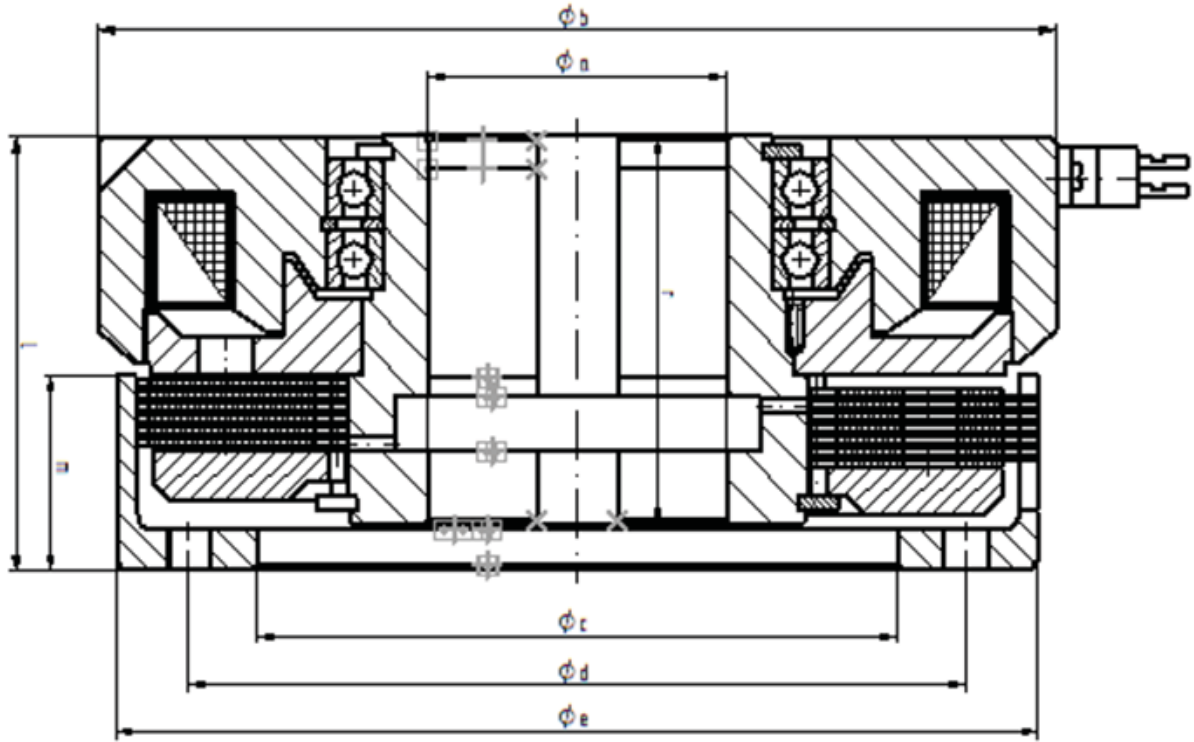
FEATURES

- Compact design and simple handling
- High work capacity
- Only for wet running applications
- Bearing supported coil body and plug connection
- Slight gear backlash in the discs
- Active oil cooling though shaft possible customization possible on request

MARKETS

- Bridge and Dam
- Crane and Hoist
- Farm and Agriculture
- Metals
- Gear Manufacturers
- General Machinery





Size			5	10	16	25	40	63	100	160	250
Static torque	TÜ	Nm	110	225	320	510	770	1200	1760	3200	4800
Speed	max.	rpm	4300	3800	3800	3500	3000	2800	2400	2100	1900
Weight	kg		3,2	5,0	7,9	8,1	14,3	18,0	26,8	45,0	60,0
coil voltage			24V	24V	24V	24V	24V	24V	24V	24V	24V
Diameter	a H7 (max.)	mm	35	42	42	50	60	68	80	90	100
	b	mm	112	134	147	165	195	210	240	295	310
	c H7 (max.)	mm	70	90	100	110	120	140	160	200	220
	d	mm	90	105	120	135	155	170	185	235	260
	e	mm	110	132	147	162	195	202	240	270	310
Lengths	l	mm	60	67	72	70	94,5	95	110,5	129	145
	m	mm	24,5	32,5	32,5	32	43	43	47	59	66
	r	mm	55	60	65	64	83,5	85	98	117	132

KMS MULTI-DISC CLUTCH

Hydraulically operated, spring-applied multi-disc clutch for wet operation, especially designed for the marine market. Additional sizes available upon request.

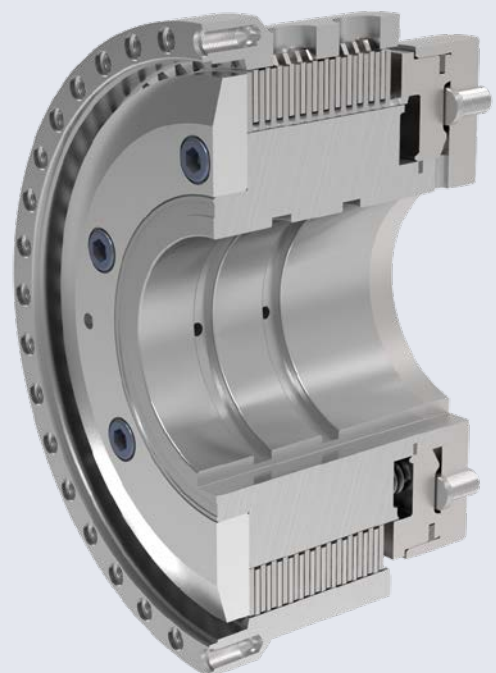
Max. speed	2500 – 650 rpm
Diameter	245 – 1050 mm
Dynamic torque	6000 – 500000 Nm

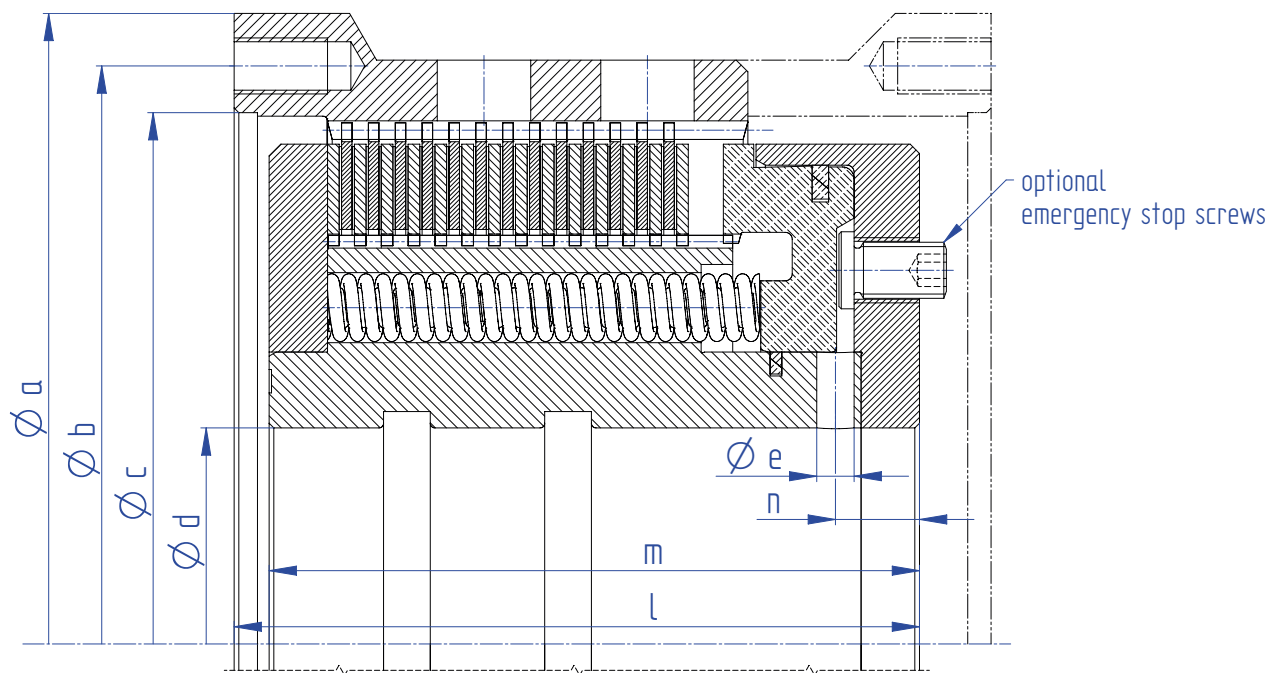
FEATURES

- For high torques
- Excellent torque to weight ratio
- Low mass moment of inertia
- High thermal load capacity
- Switching heat dissipated by internal oil cooling
- Long service life of the discs
- Low maintenance, any disc wear automatically compensated by piston travel
- Remote control capability
- Continuous increase of oil pressure, enabling shockless switching
- Mechanical emergency operation device in case of hydraulic oil supply failure
- Drag torque reduced by usage of wave springs

MARKETS

- Marine





Size		600	800	1120	1600	2250	3200	4500	6300	9000	12500	18000	25000	
Dynamic Torque	Nm	6000	8000	11200	16000	22500	32000	45000	63000	90000	125000	180000	315000	
Excess working pressure	bar	25												
Rotational speed	rpm	max	2500	2500	2500	2200	2000	1600	1350	1300	1150	1050	950	700
Cooling oil quantity	l/min	min	4	7	7	8	10	13	15	19	24	30	43	62
		max	12	24	22	28	30	44	50	63	78	97	142	200
Weight	kg	30	40	53	72	100	140	190	290	350	500	800	1150	
Diameter	mm	a	245	270	300	330	365	420	455	525	560	620	775	890
		b	225	250	280	310	340	395	430	490	530	585	720	835
		c	210	235	260	290	320	370	405	455	500	550	665	780
		d	80	90	100	110	125	150	165	190	210	235	285	350
		e	8	8	8	8	12	12	14	16	16	18	20	22
Lengths	mm	l	145	155	165	180	195	220	245	275	300	335	370	410
		m	135	145	155	170	185	210	235	265	295	325	360	400
		n	17	19	19	23	25	27	32	36	42	46	56	55

1) Permissible operating pressure range 25 - 29 bar.

KMS AV

MULTI-DISC CLUTCH

Hydraulically operated, spring-applied multi-disc clutch for wet operation, especially designed for the marine market. The difference to “standard” KMS is, that this design has been developed for higher thermal loads.

Max. Speed	1900 – 700 rpm
Diameter	365 – 890 mm
Dynamic torque	22000 – 315000 Nm

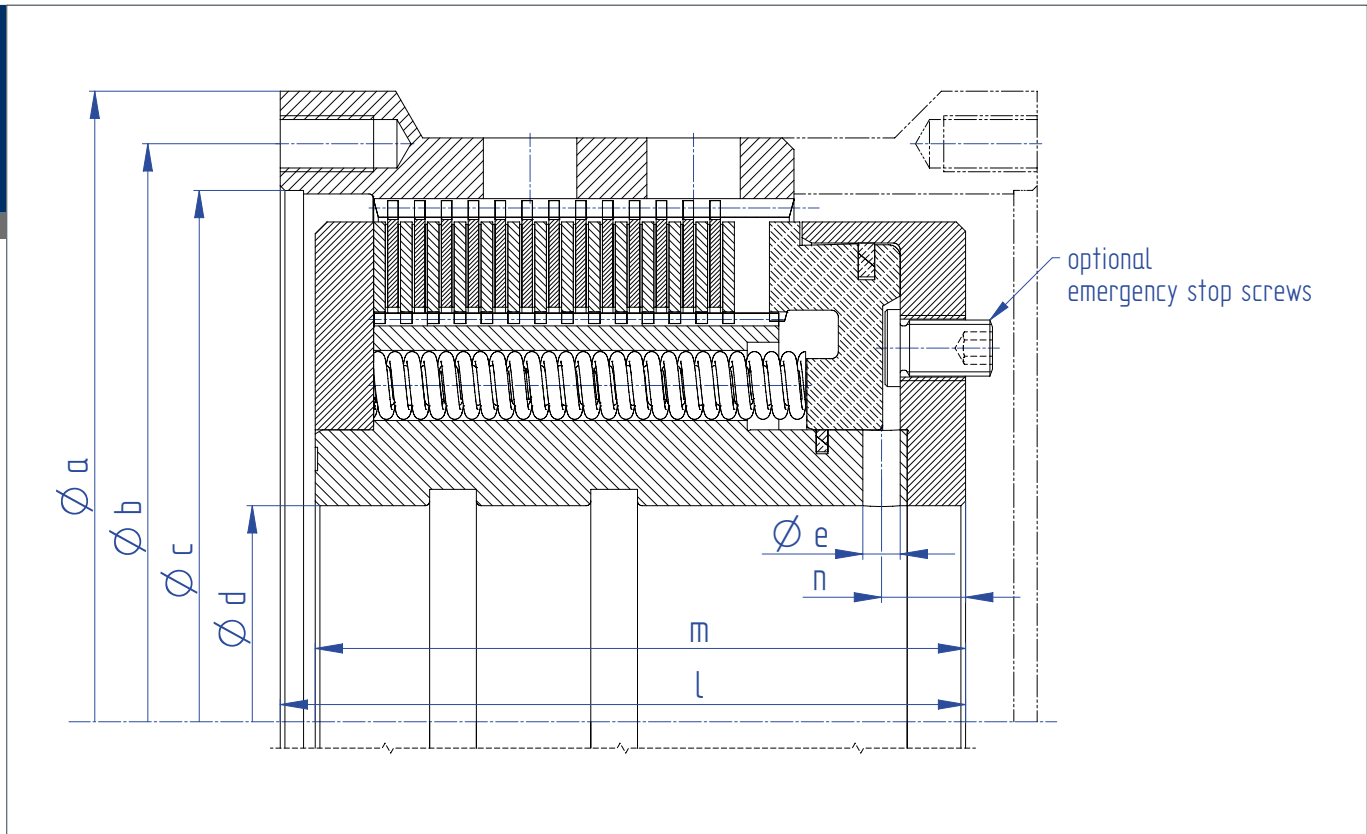
FEATURES

- For high thermal loads
- Excellent torque to weight ratio
- Low mass moment of inertia
- Design can be fitted to customer requirements
- Switching heat dissipated by internal oil cooling
- Long service life of the discs
- Remote control capability
- Low maintenance, any disc wear automatically compensated by piston travel
- Continuous increase of oil pressure, enabling shockless switching
- Mechanical emergency operation device in case of hydraulic oil supply failure
- Drag torque reduced by usage of wave springs

MARKETS

- Marine





Size		2250	3200	4500	6300	9000	12500	18000	25000	
Dynamic Torque	Nm	22000	32000	45000	66000	90000	125000	180000	315000	
Excess working pressure	bar	25								
Rotational speed	rpm	max	1900	1800	1500	1400	1000	900	950	700
Cooling oil quantity	l/min	min	14	20	21	28	32	41	42	82
		max	44	65	70	93	107	136	139	270
Weight	kg	70	148	185	290	365	500	620	1200	
Diameter	mm	a	365	415	455	515	570	620	700	890
		b	340	390	430	485	535	585	660	835
		c	320	370	405	455	500	550	620	780
		d	120	125	165	165	200	220	245	300
		e	11	12	14	16	16	18	20	22
Lengths	mm	l	195	220	245	275	305	355	330	410
		m	185	210	235	265	295	345	320	400
		n	24,5	27	32	36	42	46	51	55

1) Permissible operating pressure range 25 - 29 bar

KMS THC

MULTI-DISC CLUTCH

The KMSTHC is designed for thruster applications, positioned between the engine and gearbox, where a clutch with a reliable safety torque transfer is required.

Emergency switching device for coming-home, radial arrangement with bolts to allow manual engagement/disengagement of the clutch in case of any failure of pressure supply.

The KMSTHC series has been designed for use in Thruster-Propulsion-Systems all over the world. Various sizes are available.

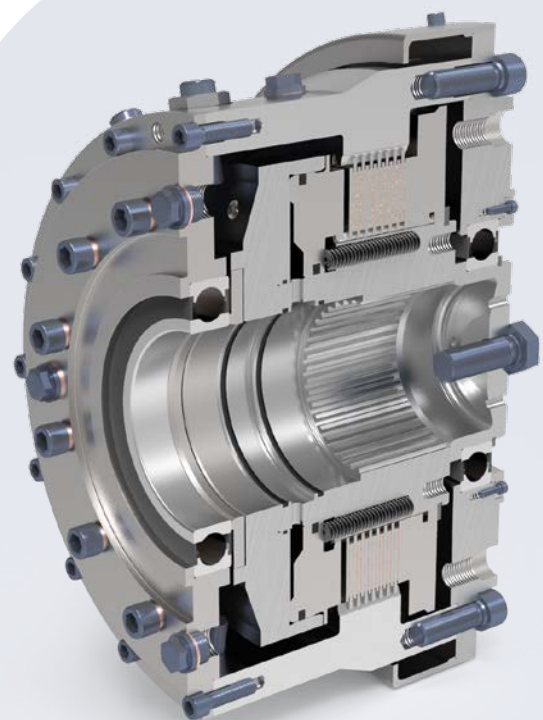
Max. speed	2100 – 1900 rpm
Diameter	230 – 500 mm
Dynamic torque	1400 – 22500 Nm

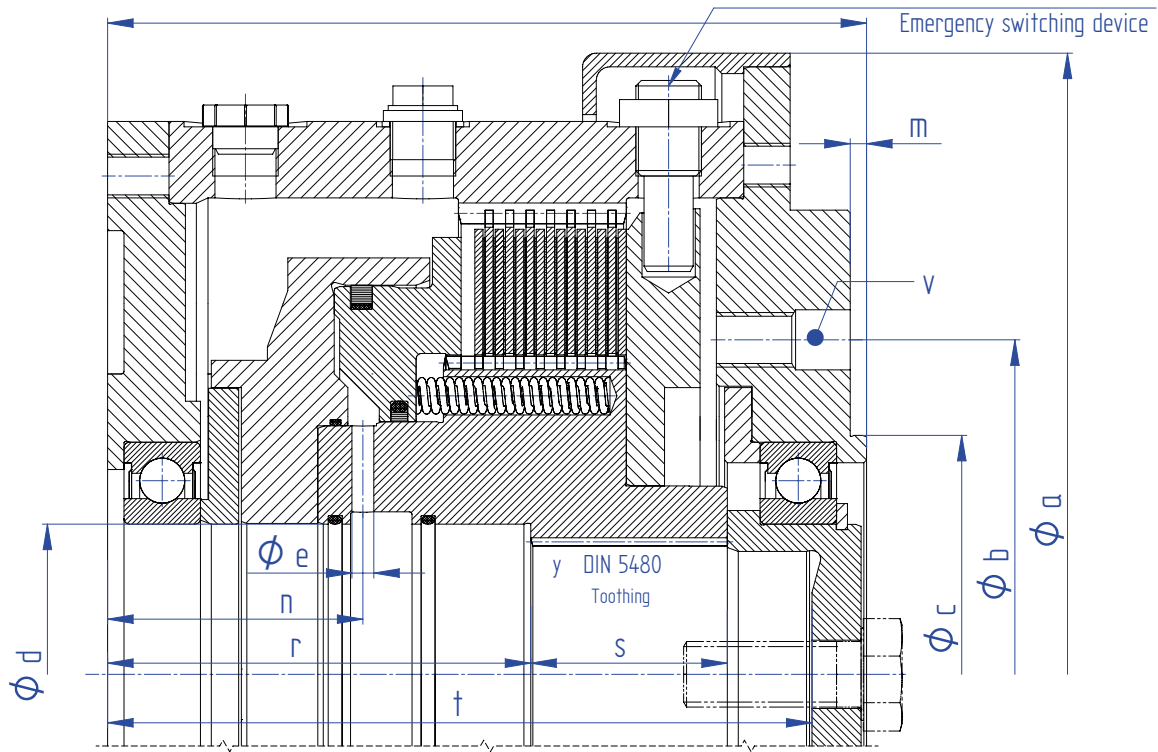
FEATURES

- No internal oil cooling necessary
- Clutch housing on bearings for applications outside of the gears
- Clutch in protective closed housing
- Direct connection e.g. of a PTO
- Long service life of the discs
- Low maintenance, any disc wear automatically compensated by piston travel
- Remote control capability
- Continuous increase of oil pressure, enabling shockless switching
- Mechanical emergency operation device in case of hydraulic oil supply failure

MARKETS

- Marine





Size			140	240	340	690	990	1400	2250
Dynamic Torque	Nm		1400	2400	3700	6900	9900	14000	22500
Excess working pressure	bar		27						
Rotational speed	rpm	max	2100	1900	1900	1900	1900	1900	1900
Weight	kg		28	39	48	85	111	184	252
Toothing	DIN 5480	y	N 40 x 2 x 18	N 50 x 2 x 24	N 65 x 3 x 20	N 80 x 3 x 25	N 90 x 3 x 28	N 100 x 3 x 32	N 130 x 3 x 42
Diameter	mm	a	230	260	270	330	370	455	500
		b	130	155.5	155.5	218	245	280	345
		c	90j6	110j6	110j6	140j6	175j6	175j6	250j6
		d	45 H7	55 H7	70 H7	85 H7	100 H7	110 H7	140 H7
		e	6	8	8	9	8	8	10
Lengths	mm	l	187	205.5	215.5	228	245	278	313
		m	2	2.5	2.5	5	6	6	5
		n	72	70	75	73	80.5	93.5	100.5
		r	111	110	121	120.5	130	155	161
		s	46	52	51	66.5	72	72	91
		t	177	187	195	212	228	258	290
Threaded Holes		v	8xM12	8xM14	10xM16	8xM18	8xM20	8xM22	10xM24

1) Permissible operating pressure range 27 - 28 bar

KMK S

MULTI-DISC CLUTCH

Hydraulically operated, spring-applied multi-disc clutch for wet operation, designed for all applications inside of a gearbox. Additional sizes available upon request.

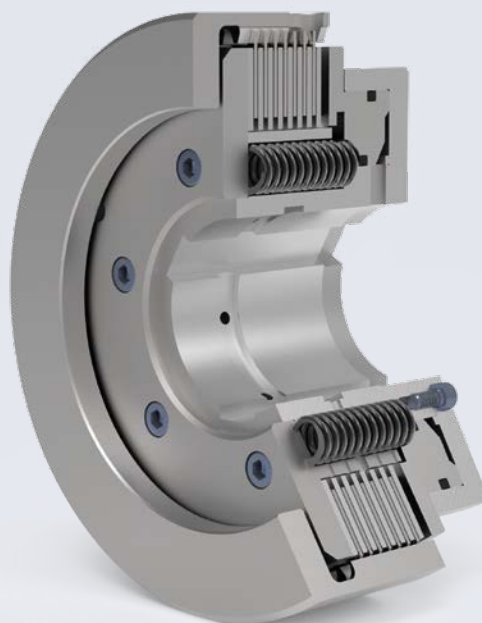
Max. speed	4000 – 850 rpm
Diameter	114 – 640 mm
Dynamic torque	200 – 100000 Nm

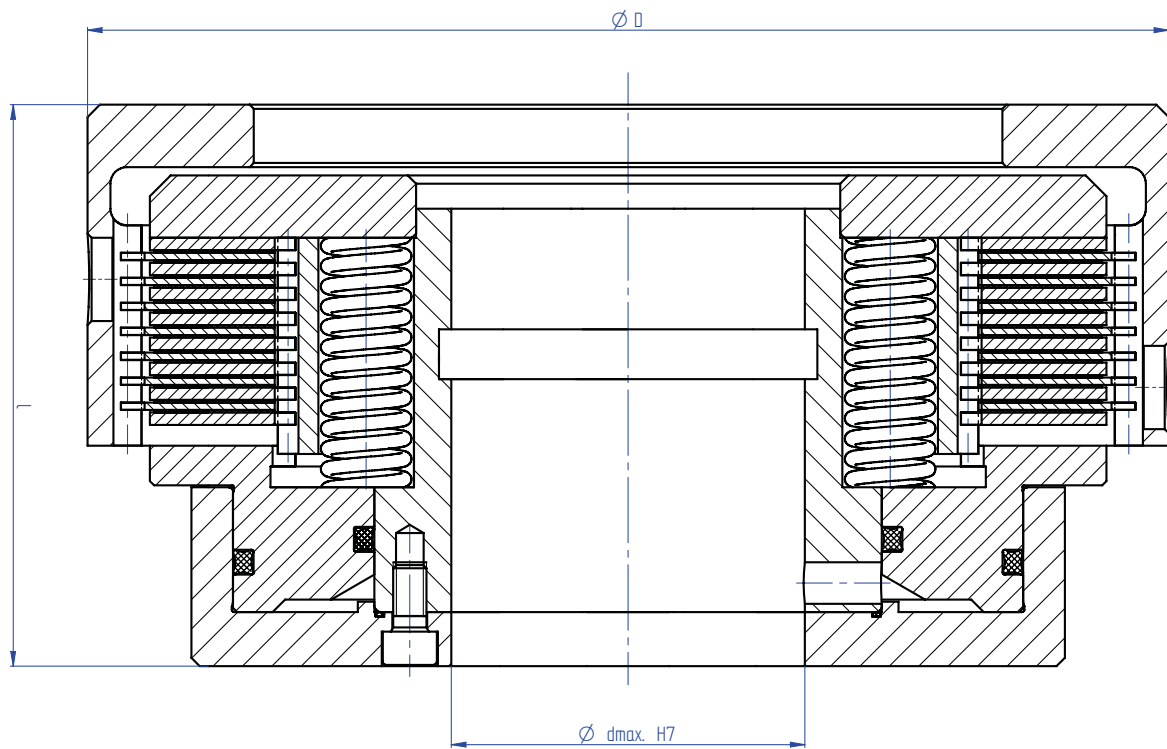
FEATURES

- Switching with differential speed possible
- Low idling torque while clutch is open
- Low maintenance
- Wet or dry running possible with suitable friction disc combination
- Radial oil feed possible
- Low wear

MARKETS

- General Machinery
- Mining and Conveyors





Size		50 S	80 S	125 S	200 S	320 S	500 S	800 S	1750 S	3200 S	
Switching moment	Nm	500	800	1250	2000	3500	6000	9000	17500	32000	
Operating overpressure	bar	16	24	24	24	24	24	24	24	24	
Speed	max rpm	3200	3000	3000	3000	3000	2500	2000	1500	1200	
Spring back pressure	bar	2,5	2,5	2,5	3	3,5	3,5	3,5	3	3	
Stroke volume	dm ³	24	28	41	63	97	157	247	333	657	
Weight	kg	6,9	9,2	12,8	20	40	62,5	112	186	238	
Size	l	mm	80	93	98	110	135	150	190	220	252
	D	mm	140	155	175	210	260	315	370	460	540
bore	dmax	mm	48	55	65	75	85	100	115	150	190

KMK T

MULTI-DISC CLUTCH

Pneumatically operated, spring-applied multi-disc clutch for dry operation, designed for all applications outside of a gearbox. Additional sizes available upon request.

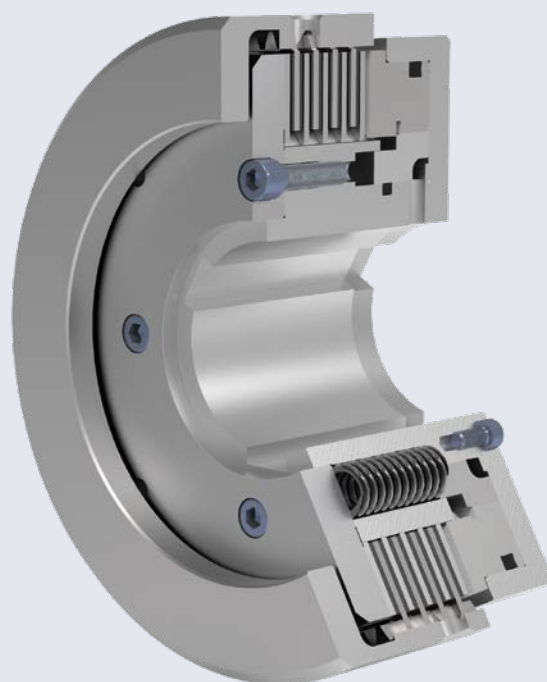
Max. speed	4000 – 850 rpm
Diameter	114 – 640 mm
Dynamic torque	120 – 60000 Nm

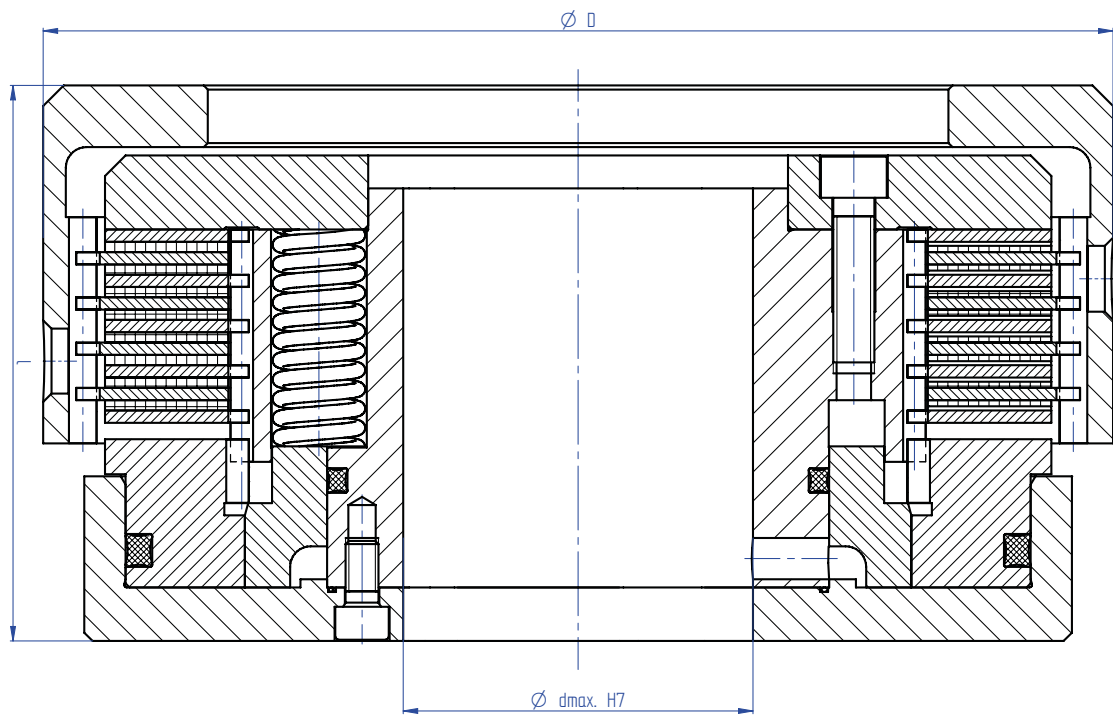
FEATURES

- Switching during difference speed possible
- Low idling torque during open clutch
- Low maintenance
- Wet or dry running possible with suitable friction disc combination
- Radial air feed possible
- Low wear

MARKETS

- General Machinery





Size		20 T	32 T	50 T	80 T	125 T	200 T	320 T	500 T
Switching moment	Nm	120	200	300	500	800	1250	2200	3750
Operating overpressure	bar	5,5	5,5	5,5	5,5	5,5	5,5	5,5	5,5
Speed	max rpm	4000	4000	3200	3000	3000	3000	3000	2500
Spring back pressure	bar	0,5	0,5	0,5	0,5	0,5	1	1	1
Stroke volume	new dm ³	13	18	24	28	41	63	97	157
Weight	kg	4,1	4,9	6,9	9,2	12,8	20	40	62,5
Size	l mm	70	70	80	93	98	110	135	150
	D mm	114	125	140	155	175	210	260	315
bore	dmax mm	40	40	48	55	65	70	85	100

Our single-disc clutches provide reliable switching of various kinds of subassemblies for modern and complex drive trains. They are designed for simple and fast maintenance, minimizing down time in their applications.

These electric and hydraulic single-disc clutches are built to enhance the performance of your drivetrain while also creating minimal noise.

SINGLE-DISC CLUTCHES

ELECTRIC	MWU	Page 22
HYDRAULIC	KHE	Page 24

An aerial photograph of a large-scale mining operation. A prominent yellow lattice crane is positioned on the left side of the frame, extending its long boom across a deep, rocky excavation. A bucket is suspended from the end of the boom, positioned over a pile of dark, granular material. The surrounding terrain is rugged and shows signs of extensive earthmoving and excavation. The lighting is bright, casting long shadows across the site.

**DECADES OF
EXPERIENCE ACROSS
INDUSTRIES AND
APPLICATIONS**

MWU

SINGLE-DISC CLUTCH

The growing integration of different drive train configurations in hybrid technologies, and the development of low-consumption drives require the activation and deactivation of diverse subassemblies. They also require clutches with low consumption and an excellent torque to space ratio that can disengage relatively free from residual torque. Additional sizes available upon request.

Max. speed	6500 – 1000 rpm
Diameter	192 – 690 mm
Dynamic torque	243 – 12800 Nm

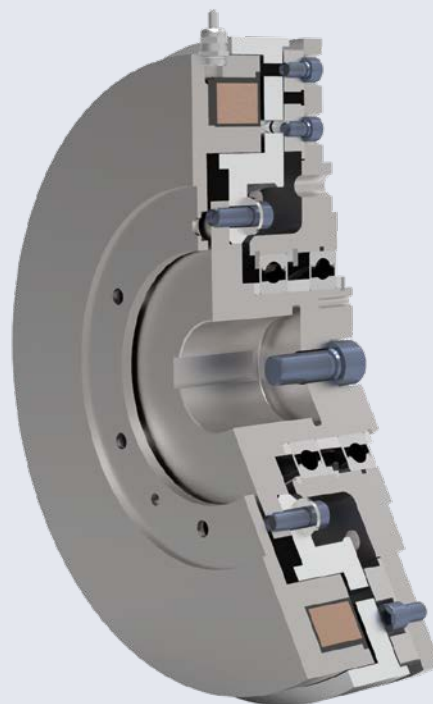
FEATURES

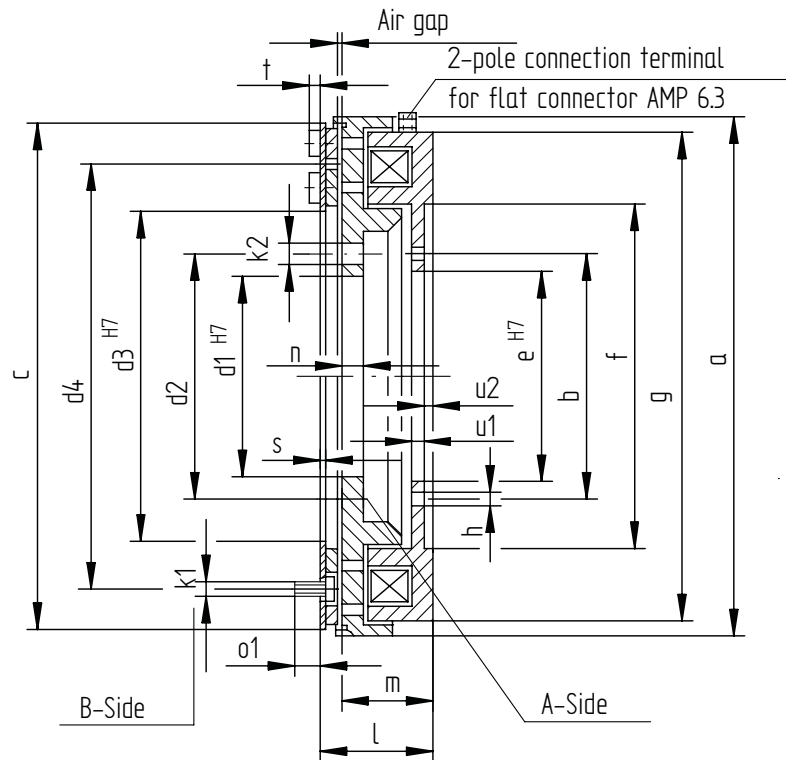
- Active clutch; actuated by electrical current, opened by spring force
- Nearly free from backlash
- Residual torque free in open condition
- Four-pole technology for high power density
- High switching frequency
- Short switching times
- Compact design
- Design without friction linings
- Several versions in modular system available
- Customization possible on request

- Electric Motors
- General Machinery
- Mining and Conveyors

MARKETS

- Amusement Ride and Ski Lift
- Marine
- Crane and Hoist
- Elevator and Escalator
- Farm and Agriculture
- Forklift truck and Electric Vehicle
- Metals
- Diesel Engines and Gensets





size		20-30	20-50	40-100	60-150	80-200	160-400	240-600	400-1000	640-1600
Torque at 1 m/s	Nm	243	405	810	1215	1620	3240	4860	8100	10183
Torque	Nm	420	700	1400	2100	2800	5600	8400	14000	17600
Speed	m/s	6500	6000	5000	4500	4500	4000	3000	2500	2450
Weight	kg	6,4	7,06	13,9	22,7	28,1	56,1	92,2	250	482
Nom. voltage	V	24	24	24	24	24	24	24	24	24
Nom. power consumption	W	57	68	90,5	196	240	216	554	278	606
Nom. current	A	2,37	2,84	3,77	8,17	10	9,01	23,1	11,6	25,25
Airgap	mm	0,5	0,5	0,5	0,5	0,5	0,5	0,8	0,8	1,2
diameter	mm	192	210	266	305	335	423	500	600	690
length	mm	47	47	60,1	70	73,5	93	115	226,8	341

KHE

SINGLE-DISC CLUTCH

Hydraulically operated, spring-applied 2 or 4 friction surfaces clutch for dry operation. This clutch is an advanced option for hydraulic power take off applications, reducing both maintenance and overall noise.

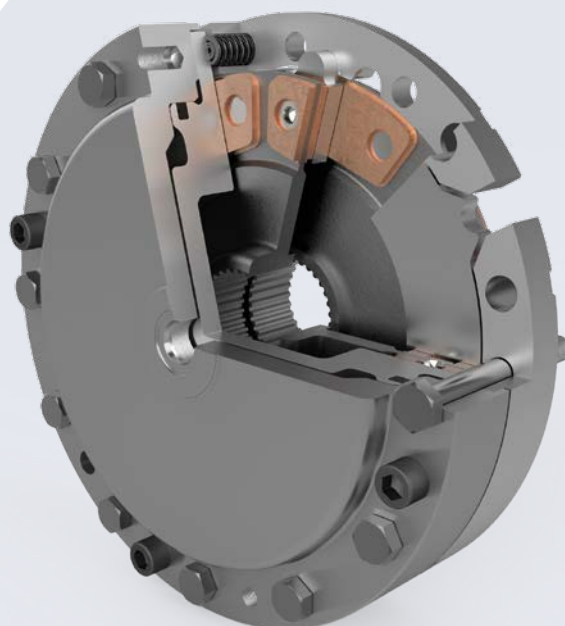
Max. speed	1900 rpm
Diameter	280 mm
Dynamic torque	2900 – 5700 Nm

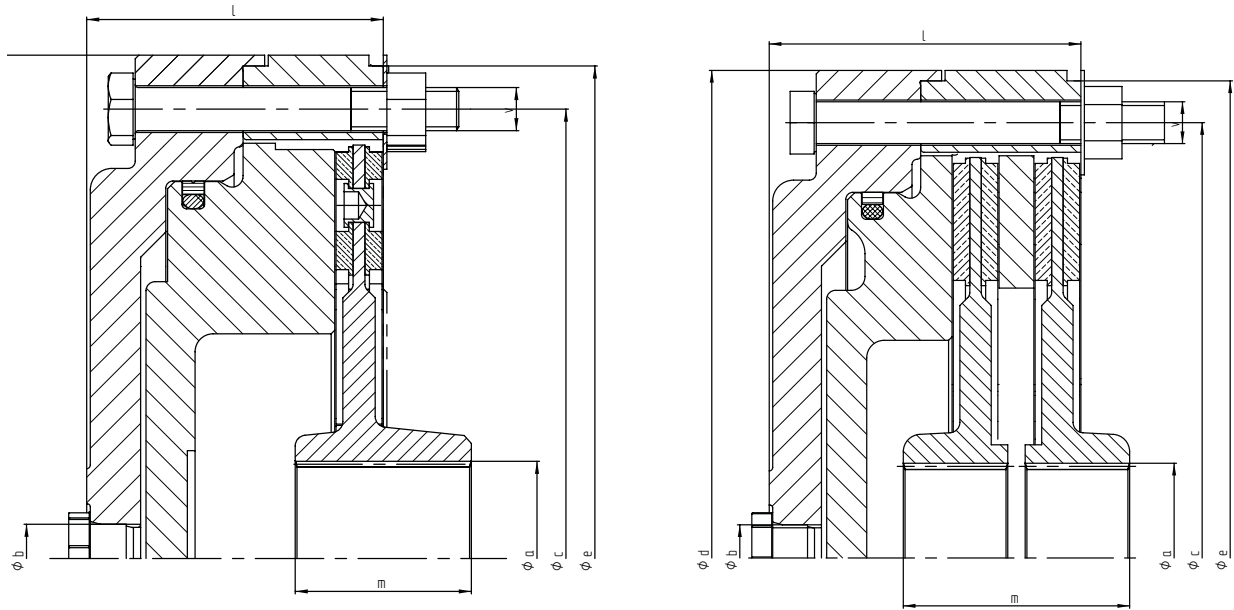
FEATURES

- Compact design
- Excellent engagement controllability
- Powerful and robust
- Low wear and low noise
- Easy to assemble
- Easy maintenance

MARKETS

- Off-Highway





Size			800/2	800/4
Static torque	Nm		3500	7200
Dynamic torque	Nm		2900	5700
Excess working pressure ¹⁾	bar		25	
Rotational speed	rpm	max	1900	
Weight	kg		30	32
stroke volume	cm ³	min.	25	49
	cm ³	max.	140	140
max. Toothing root circle-Ø	mm	a	max. 55	
hydraulic connection	mm	b	M20x1,5	
Diameter	mm	c	250	
		d	280	
		e	274 h8	
Length	mm	l	82,5	89,5
		m	customized	
Connection holes		v	12x30° M12	

1) Permissible operating pressure for torque increase 35 bar

Our electromagnetic tooth clutches allow static switching to transmit the highest torque without slip. These robust and reliable clutches experience little wear, and therefore can be run with minimal maintenance, regardless of wet or dry operation. Whether used as an active or passive brake, the “search tothing” allows an exact radial positioning of the clutch.

TOOTH CLUTCHES

ELECTRIC	EZE / EZD	Page 28
	ZAA	Page 30





**MEETING YOUR
NEEDS NOW
AND INTO THE
FUTURE**

EZE / EZD TOOTH CLUTCH

Electromagnetic tooth clutches transmit high torque in static applications, such as one or two slip rings, as well as plug or cable connections. Different configurations available for many different applications and markets.

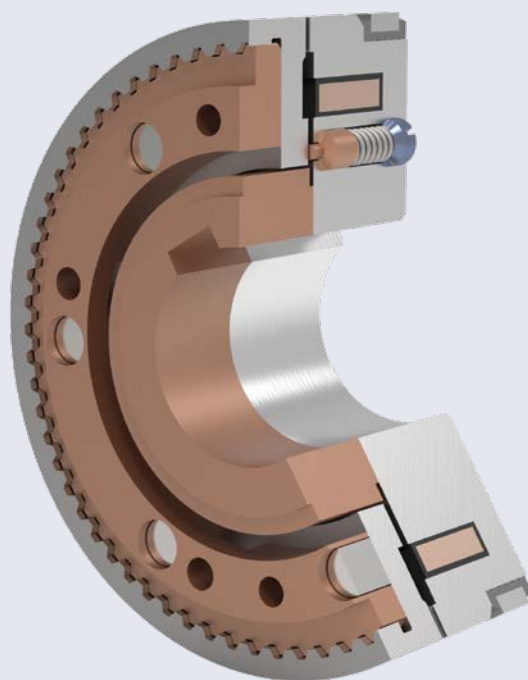
Max. speed	6500 – 1000 rpm
Diameter	55 – 250 mm
Static torque	20 – 16000 Nm

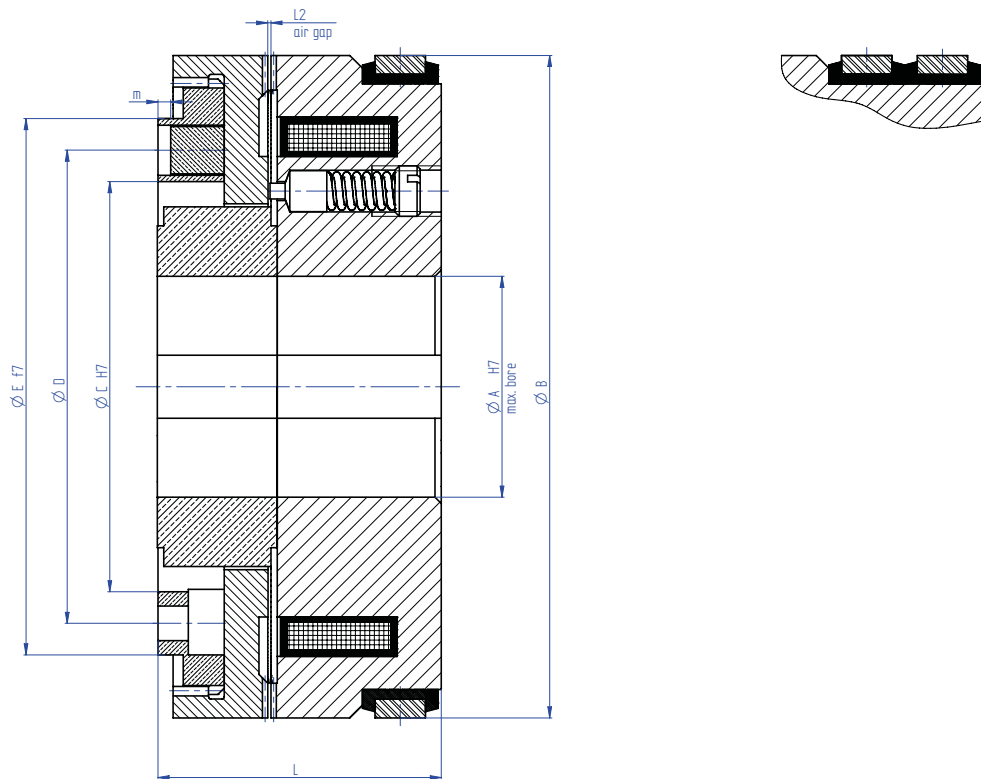
FEATURES

- Active or passive actuation possible
- Compact design and simple handling
- Usable in wet or dry running applications
- Available with slip rings, plug or cable connection
- Deliverable with suitable accessory
- Customization possible on request

MARKETS

- Amusement Ride and Ski Lift
- Bridge and Dam
- Marine
- Crane and Hoist
- Elevator and Escalator
- Oil and Gas
- Renewable Energy
- Metals
- Gear Manufacturers
- Electric Motors
- General Machinery





Size			2	5	10	16	25	40	63	100	160	250	400	630	1000
Torque	TÜ	Nm	20	50	100	160	250	400	630	1000	1600	2500	4000	6300	10000
Speed	max.	rpm	5500	4500	4000	3500	3300	3000	2500	2200	2000	1700	1500	1300	1100
Weight	EZE	kg	0,9	1,5	2,3	3	4,2	6,2	8,9	14,0	20,0	34,0	48,0	70,0	60,0
	EZD	kg	1,1	2,0	3,0	3,8	4,25	6,2	8,9	14,0	20,0	34,0	48,0	70,0	60,0
coil voltage		V	24V	24V	24V	24V	24V	24V	24V	24V	24V	24V	24V	24V	24V
Diameter	a H7 (max.)	mm	30	40	45	50	55	60	70	80	95	110	125	140	165
	b	mm	75	90	105	115	125	140	160	182	215	250	280	320	380
	c H7	mm	45	53	65	70	75	85	95	115	130	150	175	200	250
	d	mm	55	64	75	85	90	100	115	135	155	180	205	235	290
	e f7	mm	65	75	85	100	105	115	130	155	180	210	235	270	330
Lengths EZE	L	mm	33	40	45	50	58	67	75	85	100	115	130	150	175
	L2	mm	0,4	0,5	0,5	0,5	0,6	0,6	0,7	0,7	0,9	0,9	1,0	1,0	1,2
	m	mm	1,5	2	2	2	2,5	2,5	3	3	4	4	4	4	6
Lengths EZD	L	mm	42	52	57	62	58	67	75	85	100	115	130	150	175
	L2	mm	0,4	0,5	0,5	0,5	0,6	0,6	0,7	0,7	0,9	0,9	1,0	1,0	1,2
	m	mm	1,5	2	2	2	2,5	2,5	3	3	4	4	4	4	6

ZAA

TOOTH CLUTCH

The “Z” electromagnetic tooth clutch series allows the transmission of high torques in static applications.

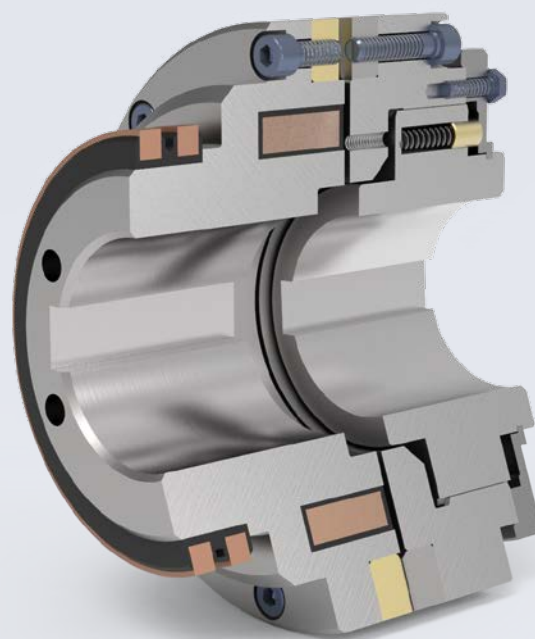
Max. speed	4000 – 1000 rpm
Diameter	190 – 740 mm
Static torque	160 – 100000 Nm

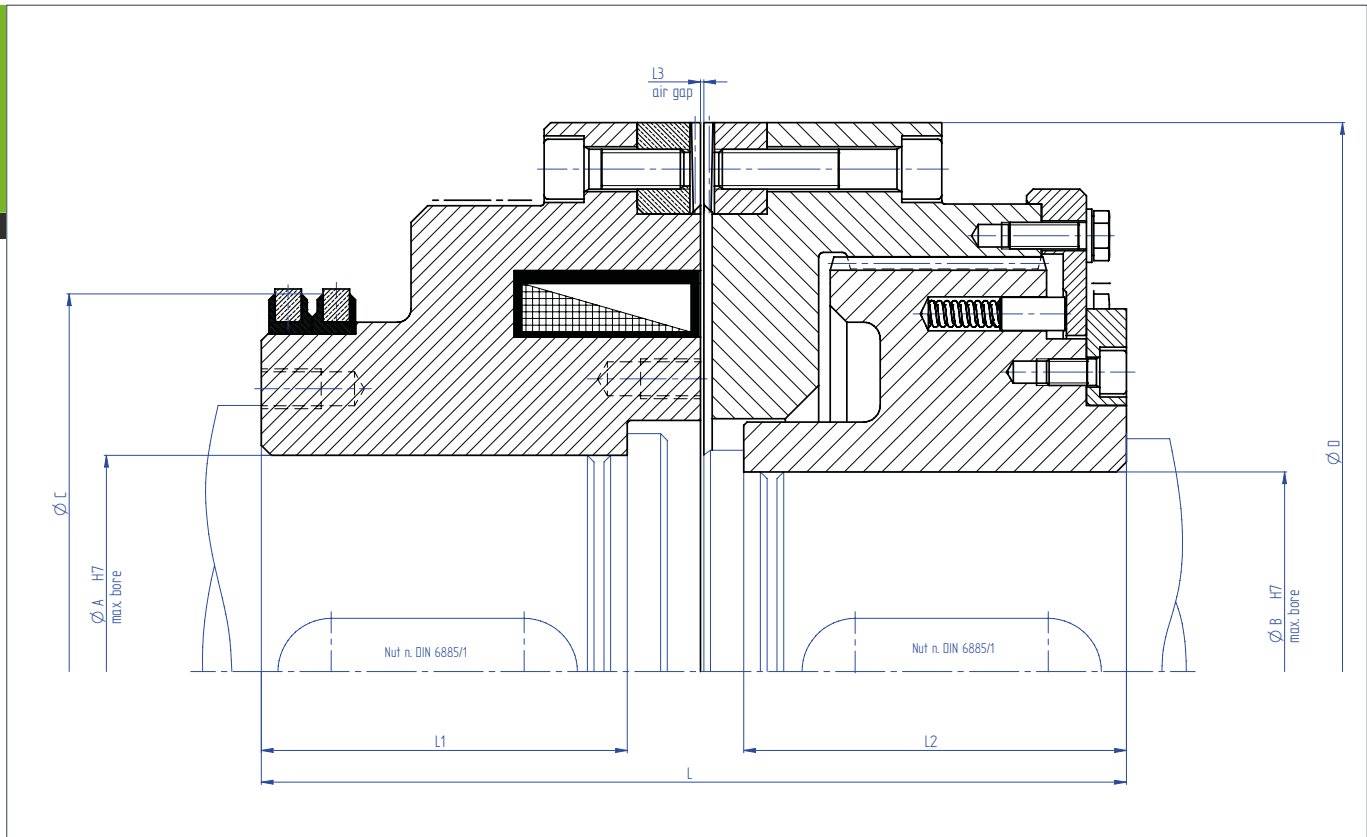
FEATURES

- Active or Passive Actuation Possible
- Compact design
- Simple handling
- Wide torque range up to highest torque values available
- Usable in dry running applications
- Available with slip rings, plug or cable connection
- Deliverable with suitable accessory
- Customization possible on request

MARKETS

- Bridge and Dam
- Marine
- Crane and Hoist
- Farm and Agriculture
- Oil and Gas
- Metals
- Gear Manufacturers
- General Machinery
- Renewable Energy





Size			63	100	160	250	400	630	1000	1600	2500	4000	6300	10000
Torque	TÜ	Nm	630	1000	1600	2500	4000	6300	10000	16000	25000	40000	63000	100000
Speed	max.	rpm	4000	3600	3200	2900	2700	2400	2000	1700	1400	1300	1100	1000
Weight		kg	20	25	35	50	66	100	147	218	322	482	720	1071
coil voltage		V	110V	110V	110V	110V	110V	110V	110V	110V	110V	110V	110V	110V
Diameter	a H7 (max.)	mm	70	80	90	100	110	130	150	180	210	230	260	300
	b H7 (max.)	mm	70	80	90	100	110	130	150	180	210	230	260	300
	c	mm	132	145	160	180	200	230	255	295	340	395	455	455
	d	mm	190	210	230	260	290	330	380	440	500	560	640	740
Lengths	L	mm	160	165	190	205	225	260	290	340	380	430	490	580
	L1	mm	74	70	85	85	95	110	125	135	155	175	200	245
	L2	mm	68	72	80	85	100	115	130	160	180	195	230	260
	L3 air gap	mm	0.5	0.5	0.5	1.0	1.0	1.0	1.0	1.0	1.5	1.5	1.5	1.5



Stromag™

stromag.com

Germany

Hansatraße 120

59425 Unna - Germany

+49 2303 102 - 0

regalrexnord.com

The proper selection and application of products and components, including assuring that the product is safe for its intended use, are the responsibility of the customer. To view our Application Considerations, please visit <https://www.regalrexnord.com/Application-Considerations>.

To view our Standard Terms and Conditions of Sale, please visit <https://www.regalrexnord.com/Terms-and-Conditions-of-Sale> (which may redirect to other website locations based on product family).

"Regal Rexnord" is not indicative of legal entity. Refer to product purchase documentation for the applicable legal entity. Regal Rexnord and Stromag are trademarks of Regal Rexnord Corporation or one of its affiliated companies.

© 2025 Regal Rexnord Corporation, All Rights Reserved. MCC-10887-SG-EN-A4 02/25

